

SLIDING DOOR SYSTEMS: INSTALLATION INSTRUCTIONS

SLANTED DOOR GUIDE



raumplus

*Reference for the level of difficulty is a standard sliding door without slant.
This should be ranked as "easy" in respect to construction and installation.

_CONTENTS

1st version_February 2007

General / tools_Page 3

Technical terms_Page 4

Preparation / installation_Page 5-6

Detail drawings_Page 7-8

_GENERAL / TOOLS

INSTALLATION INSTRUCTIONS FOR THE SLIDING DOOR SYSTEM:

GENERAL INFORMATION

The sliding door systems by **raumplus** offer you great variation options and versatility. There are systems with and without floor tracks; a large variety of door panels, doors for slanted roof spaces and corner solutions, and doors for special application purposes (lockable, suitable as a room divider, etc.). For the construction of sliding doors, please read the assembly instructions "How do I build a sliding door?".

These instructions are created by people for people. We have taken great care to formulate the situations as simply and clearly as possible and to illustrate them. If you still think that something is confusing here or there, please let us know so that we can revise the relevant passages. **Subject to technical changes.**

First gain an overview over what you would like to actually construct:

Is your series called "AIR"?

In that case, the separate installation instructions for the AIR series will apply to you.

Check the packing slip to make sure that all the delivered parts are complete. Also pay attention to any potential transportation damages. In the event of absences or damages, please contact the appropriate vendor. The components are numbered in the installation drawings and the packing slip please compare them.

NOTE: In order to achieve the exact measurements, please read our measuring instructions carefully first.

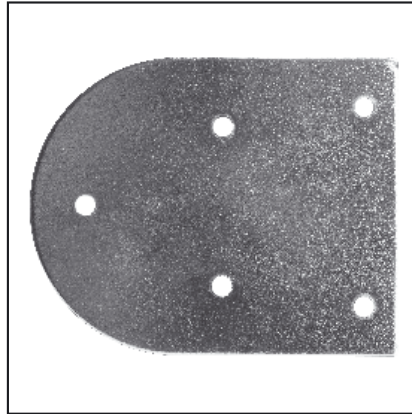
TOOLS:

Philips screwdriver
Allen key 2.0 + 2.5 mm
Drill; 3.5 mm drill
13 mm open-end wrench
Iron saw

_TECHNICAL TERMS



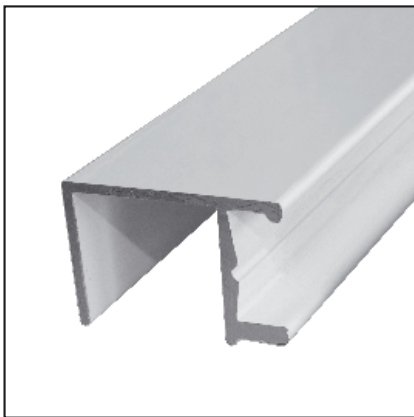
1_



2_



3_



4_



5_



6_

1_ Slanted door guide (10.01.262)_Holder for doors without an upper guide.

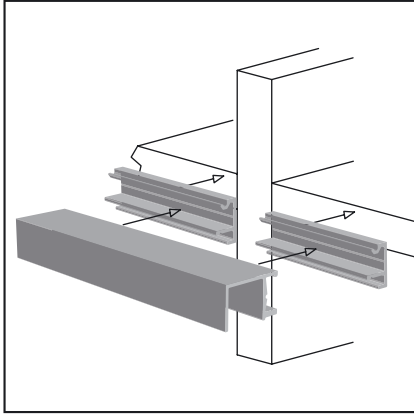
2_ Mounting plate (10.08.040)_Connecting plate between door and guide.

3_ End cap for slanted door guiding profile, silver (10.01.265), end cap white (10.01.264)_Cap for profiles.

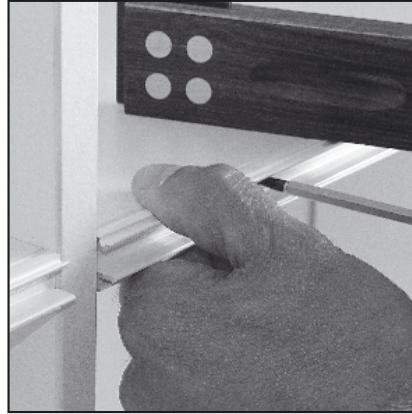
4_ Profile silver (14.18.020), profile white (14.18.060)_Guiding track for the slanted door.

5_ Profile silver (14.17.020), profile white (14.17.060)_ Connecting track between the shelf and the guiding track.

_INSTALLATION



1_



2_



3_

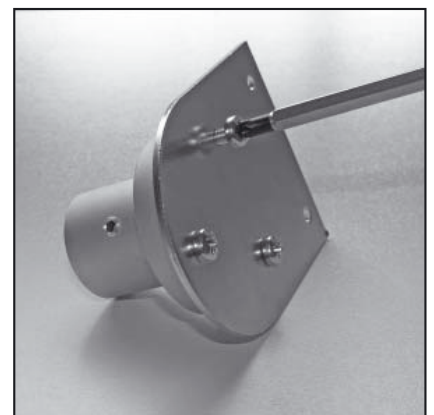
1_ to 3_ Shorten the connecting track to the width of a suitable design foundation. Then place the profile with the upper edge flush against the design foundation (image 2_), pre-drill holes each 5 cm from the end and at a distance of about 30 – 40 cm in the middle of the interior part of the profile (guide marking / nut, image 3_) and attach it with screws (e.g. 3.5 x 25 mm).



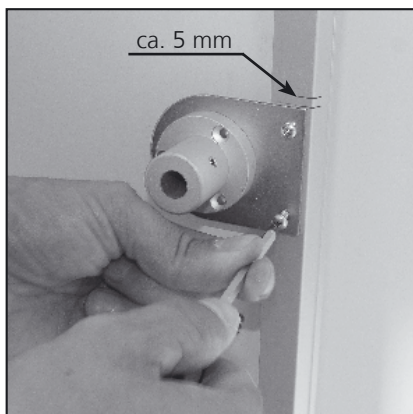
4_



5_



6_



7_

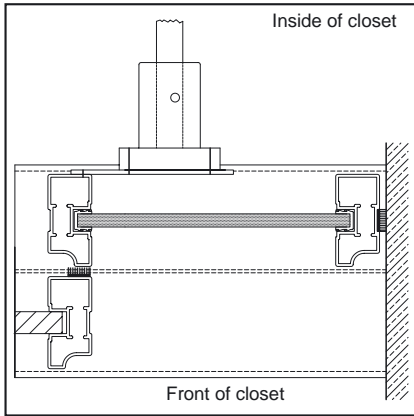
4_ Now shorten the guide track for the slanted door to the required length. Pre-drill holes each approx. 5 cm from the end and at a distance of approx. 40 cm with a 3.5 mm drill from below into the guide track. Latch the guide track into the connecting track mounted at the shelf and attach it from below with the intended thread-cutting M 4 x 6 threaded pin.

5_ Align the slanted door in the guide of the installed floor track, corresponding to the arrangement in the drawing. Transfer the height of the upper edge of the design foundation to the door profile with a bracket or similar tool.

6_ Attach the installation plate and base with screws (M 4 x 8) in such a way that they connect.

7_ Position both together approx. 5 mm below the marking on the door profile and attach the installation plate with the mounted base to the door frame. Then reinsert the door.

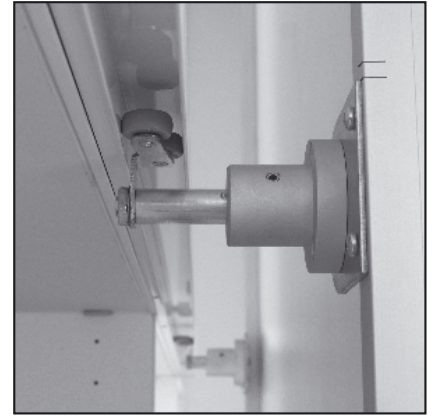
_INSTALLATION



8_



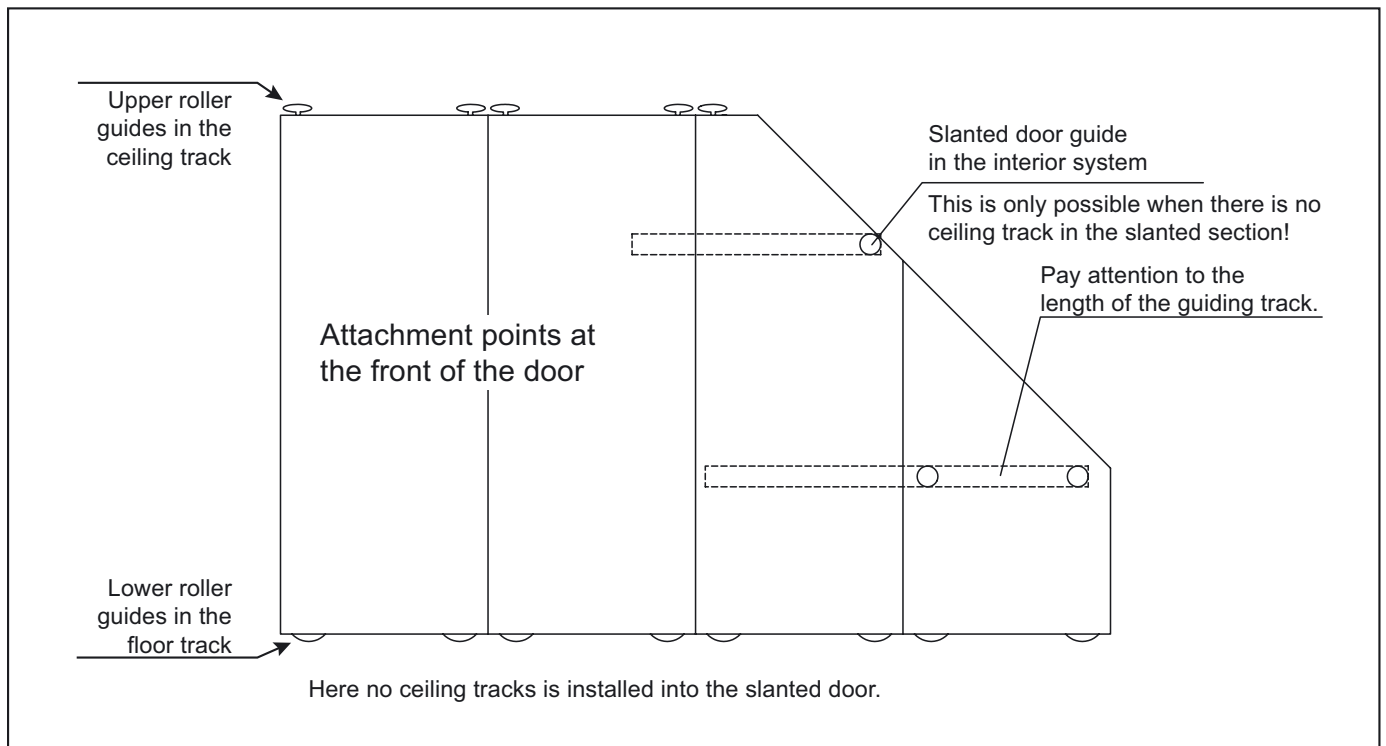
9_



10_

8_ and 9_ Insert the preattached slanted door guide with the straight arm into the base and measure by how much the arm needs to be shortened. Make sure that the sliding door has the proper right angles. Insert the shortened slanted door guide back into the base and make sure that the rollers on the roller bracket are running freely and are aligned parallel to the guide track. Now attach the straight arm of the slanted door guide with the Allen screw of the base.

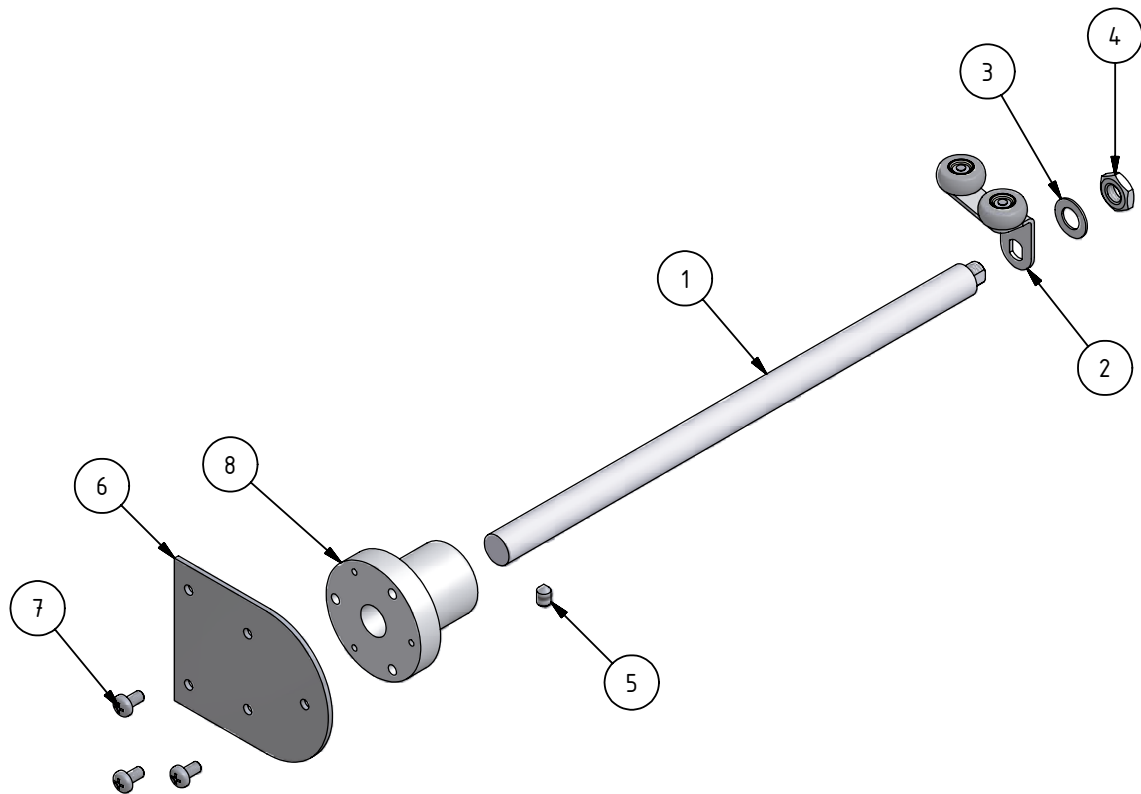
10_ This image shows the completely installed slanted door guide on a sliding door, along with the attached connecting track with the guiding track on the shelf.



11_

11_ Example of the attachment points at the front of the door in the first and second slanted door.

_DETAIL DRAWING



Item list

OBJECT	QUANTIT	COMPONENTNUMBER	DISCRIPTION	MATERIAL
1	1	10.01.262B	Arm (straight)	Aluminium - 6060
2	1	10.01.262C	Base support	Steel (galvanized)
3	1	10.01.262D	Crinkled spring washer DIN 137 Spring washer M8	Steel (galvanized)
4	1	10.01.262E	Hexagonal nut DIN 439 M8 Hexagonal nut A2	Steel (galvanized)
5	1	10.01.262F	Threaded pin DIN 914 M5 x 8	Steel (galvanized)
6	1	10.08.040	Mounting plate	Steel (galvanized)
7	3	10.01.262G	Flathead Philips screw DIN 7985 M4 x 8	Steel (galvanized)
8	1	10.01.162A	Base	Pressure casting

_DETAIL DRAWING

