

MEASUREMENT INSTRUCTIONS FOR RAUMPLUS PRODUCTS

6th edition Bremen, December 2006

raumplus

_PREREQUISITES

These measurement instructions apply for all interior systems, room dividers and sliding doors.

Please keep in mind all of the details in these instructions because an incorrect measurement can lead to your raumplus product not being installed accurately. It is essential to measure exactly! Please write your measurements in the "Measurements Sheet".

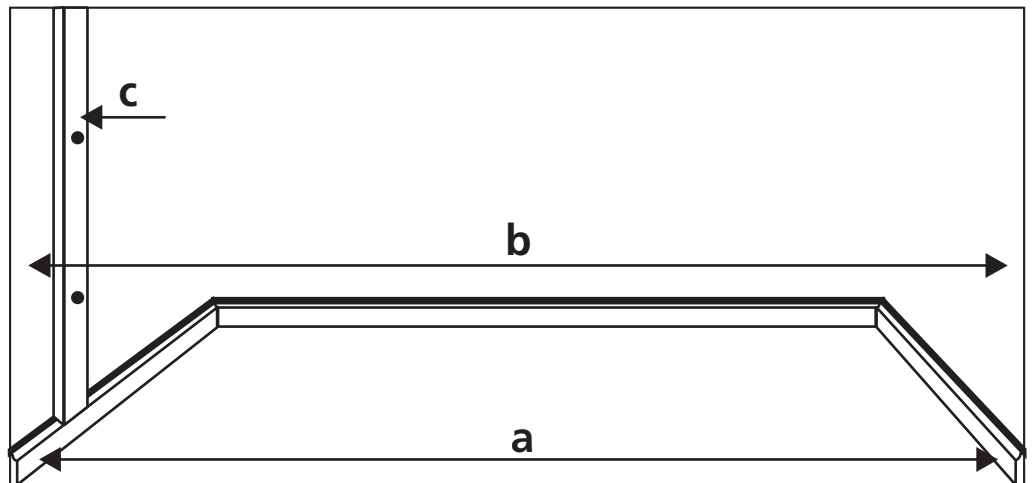
If the measurements of your room have extreme variations, you might potentially have to use shims and wedges. Due to variations you need further dressings such as plinth panels for interior systems and equalization elements for sliding doors / room partitions (with variations of 1 cm or more). Please contact your salesperson.

PREREQUISITES:

You should first decide how large the closet wall or room partition should be and pay attention on:

_Baseboards (**a**), pipes, wall projections, and similar things need to be taken into account.

_The sliding doors run directly into the wall (**b**) or if additional closet sides or rather equalization elements (**c**) need to be made.



a_1. Variant: Mount closet or sliding doors / room partitions adjacent to the wall. Give the exact opening measurements (see page **03**).

b_2. Variant: Addressing the baseboards, pipes, etc. with adjustment ledges. Give the exact opening measurements (see page **03**) and measure the width of the baseboards, pipes, etc. exactly.

Width of the baseboards etc.

left

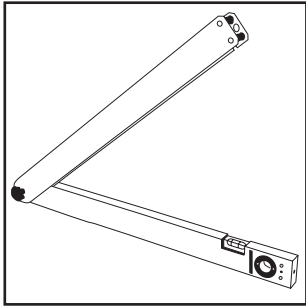
right

c_3. Variant: Mount adjacent to the baseboards, pipes, etc. Give the exact opening measurements starting from the baseboards.

_MEASUREMENT INSTRUCTIONS

GENERAL MEASUREMENTS:

RESOURCES



1_

Use resources such as a **straightedge striker**, **telescope measure**, **angle measure**, **spirit level** and **laser** when measuring! Check all walls, floors, ceilings and slants for concavities!

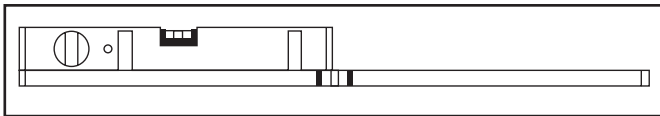
1_ **Angle measure** An angle that is adjustable in order to measure angles exactly.

2_ **Straightedge striker** A simple, straight stick, which can be used to detect concavities (**Alternative:** Twine and solder).

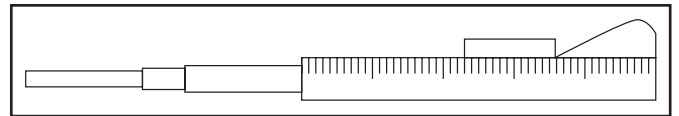
3_ **Telescope measure** A stick (pull-out) to measure rooms.

4_ **Spirit level**

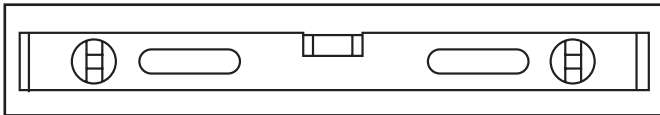
Laser The laser projects an exact right-angle cross on the wall. Using the laser with the telescope measure it is easy to determine the correct measurements.



2_

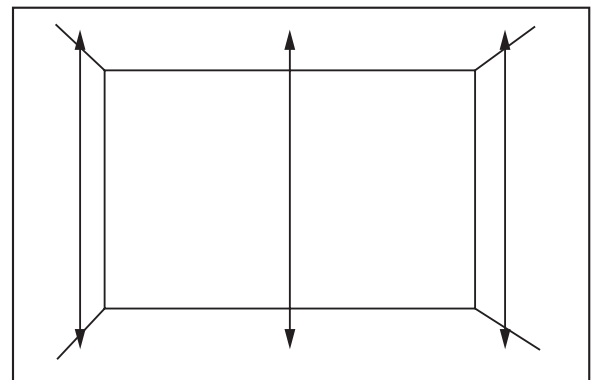
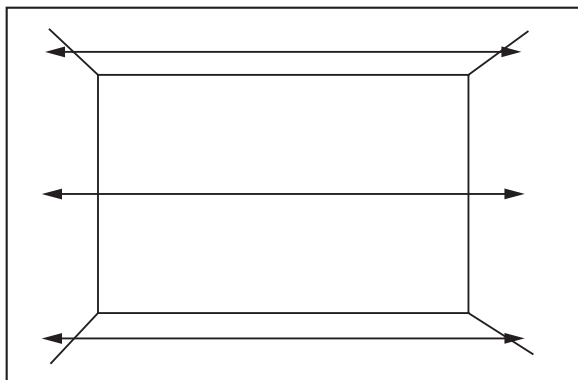


3_



4_

MEASURING THE ANGLES:



Measure each three times and please write down **all** values!

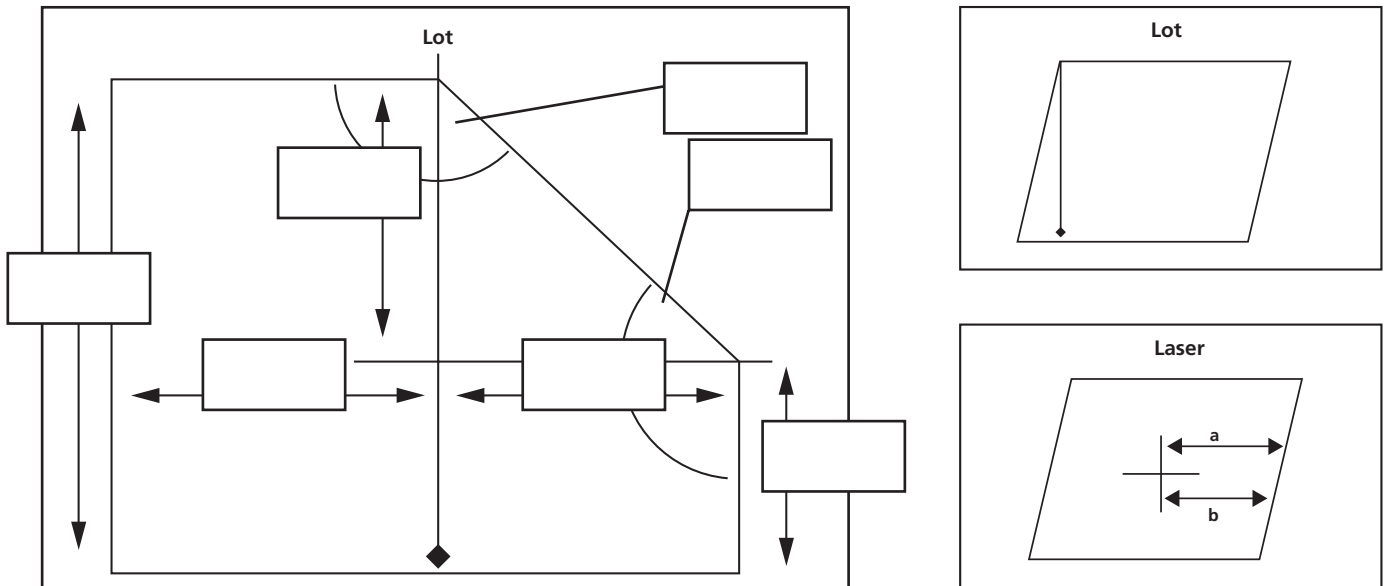


The width: You measure the top, the middle, and the bottom. Are the walls straight or do they arch inwards or outwards? The widest measure is the width of your closet front.

The height: You measure the left side, the middle and the right side. Does the ceiling hang or is it straight? The smallest measurement is the height of your closet front.

_MEASUREMENT INSTRUCTIONS

MEASURING THE ANGLES:



Please measure the angles (angle measure); do not estimate!

CAREFUL: Check using a plumb or a laser to see if the walls are straight. The walls may possibly form a parallelogram. In this case, if possible, insert profile covers should be installed:

The absolute straight and right angle cross can be used as a level marker- if, for example, a and b deviate from each other, the right wall is not straight.

MESUREMENTS OF SLOPING CEILINGS

Make a pattern of the sloping ceiling using a template. Then carry over the contour onto a sheet of paper.

Alternative:

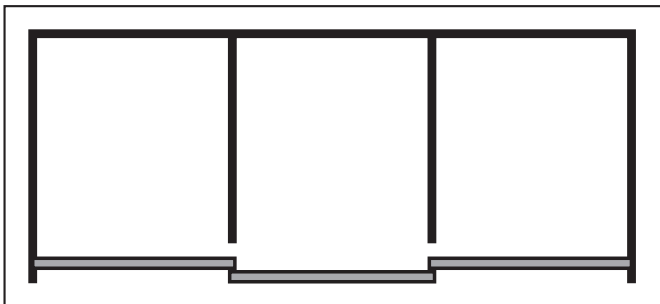
If the room is too large for a template, use a plumb or a laser to determine the correct measurements. If the sloping ceiling arches inwards or outwards, we recommend a dressing such as a wall connection for sliding doors or adjustment ledges for interior systems.

_MEASUREMENT INSTRUCTIONS

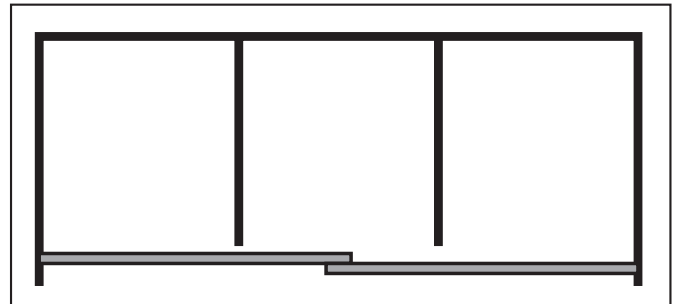
MEASUREMENTS OF SLIDING DOORS

The maximum possible size of a sliding door is 1500 mm X 3500 mm, when taking into account different factors such as panels, type of profile, etc. With the door width the overlap of doors must be taken into account. This is dependent upon the sliding door series (ask your salesperson for more information).

The arrangement of the doors should ensure that you have trouble-free access to the entire interior system.

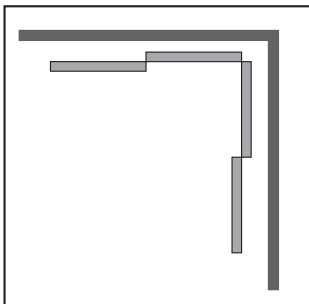


Correct: Because each compartment is accessible with an opened door.

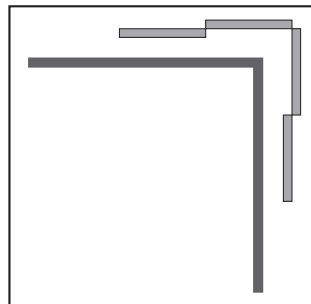


Awkward: The middle compartment is difficult to reach.

MEASUREMENTS CORNER DOORS:



Inside

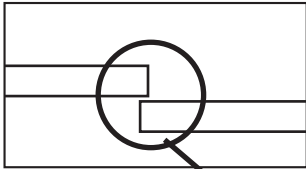


Outside

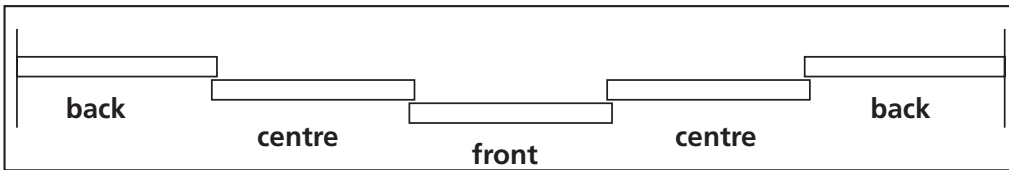
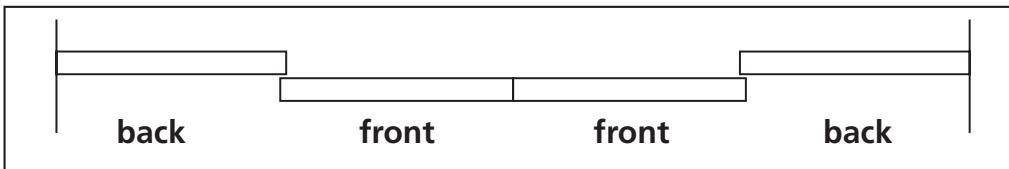
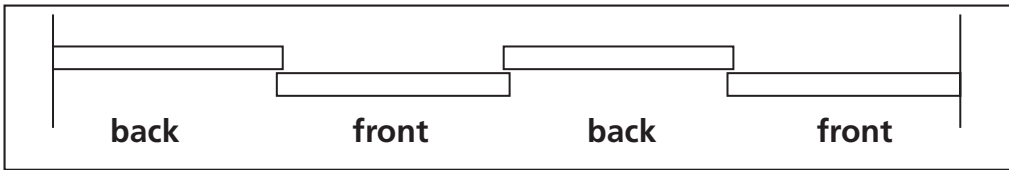
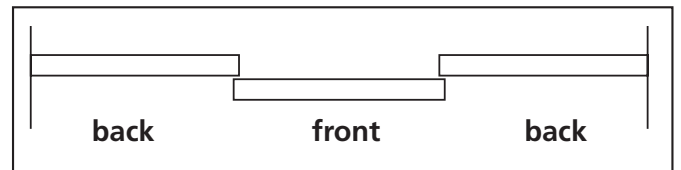
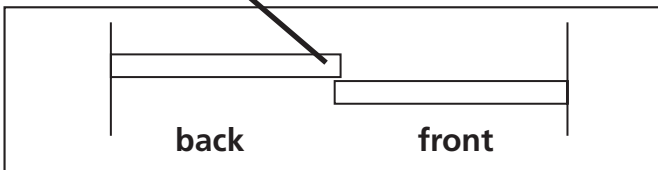
Due to the panels of the different sliding door series we cannot list all of the assessments on this sheet. Allow your salesperson to give you the measurements for the overlap of the doors and the measurements for additional space for corner solutions.

_MEASUREMENT INSTRUCTIONS

EXAMPLES OR THE ARRANGEMENT OF SLIDING DOORS:



Many combinations are possible; keep in mind, like described above, the accessibility of the interior system and the principle feasibility of a combination (e.g. three doors in a row is not a possible combination).



MEASUREMENT FORMULA FOR DOORS (FOR EXAMPLE S1500 WITH 4 DOORS AND 3 OVERLAPS:

Formula for the door width:

(Room dimensions + Door overlaps) : number of the doors = Widths of doors

$$(\text{ } + (\text{Quantity of overlaps})) : \text{ } = \text{ }$$

Example with 3 m room width:

$$(3000 + 60 (3 \times 20)) : 4 = 765 \text{ mm}$$

HEIGHT OF DOORS:

$$\text{Height of the front} - 34 (\text{attached.*}) / 40 (\text{glued*}) \text{ mm} = \text{ } \text{mm door height}$$

MEASUREMENT INSTRUCTIONS

LENGTH OF THE VERTICAL PROFILE:

Door height _____ mm = profile length (measurements on list below)

LENGTH OF THE HORIZONTAL PROFILE:

Door width _____ mm - 40 mm (Series 1500) = _____ mm profile length

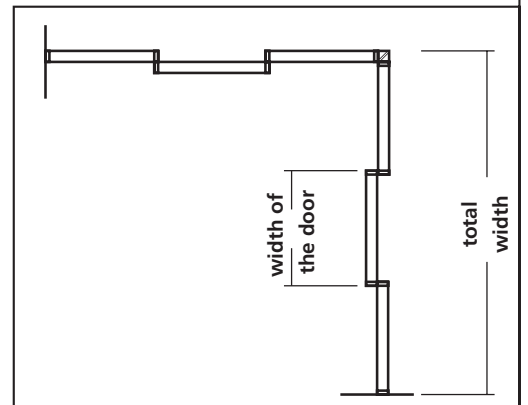
CUTTING MEASURE:

Series	door height (attached*)	door height (glued*)	door overlap	panel height	panel width	horizontal profile
S26	–	34	32	37	51	61
300	34	40	39	62	65	78
410	34	40	26	32	12	30
420	34	40	21	32	12	30
440	34	40	21	32	13	30
640	34	40	32	62	53	64
650	34	40	20	62	27	40
653	34	40	32	62	53	64
750	34	40	20	62	27	40
751	34	40	26	62	39	52
752	34	40	26	62	39	52
753	34	40	32	62	53	64
791	34	40	50	62	87	100
1001	34	40	26	5	39	52
1500	34	40	20	62	27	40
1500 asym below	34	40	20	17	27	40
3000	34	40	39	62	65	78
1500 AIR	–	–	20	49	27	40
3000 AIR	–	–	39	49	65	78
1500 AIR m. B.	–	–	20	49	27	40
3000 AIR m. B.	–	–	39	49	65	78

*Bottom track

_MEASUREMENT INSTRUCTIONS

Which arrangement would you like? Please include detail drawings and measurements.



Example