

SLIDING DOOR SYSTEMS: INSTALLATION INSTRUCTIONS

HOW TO INSTALL A SLIDING DOOR

	easy	medium	difficult *
Manufacturing	=====		
Assembly	=====		

*Base for the degree of difficulty is a standard sliding door without slant.
This is to be classified as ,easy' in respect of production and installation.

raumplus

_INDEX

6th edition Bremen, Februar 2007

General information / Tools_page 3

Technical terms_page 4

Preparation_page 5

Installation_pages 5-10

A_Wall connection

B_Install top track

C_Slidings doors / adjust bottom track and drill holes for positioning for top trackss

D_Install bottom track and push in position spring

E_Position springs for bottom track

F_Positioning for top tracks

G_Install / align sliding doors

H_Attach dust excluding brush and plugs

I_Corner solutions

Sloped ceilings_pages 10-11

1_Lateral slope

2_For Aluline

3_Slope backwards

Detail drawings_pages 12-14

_GENERAL INFORMATION / TOOLS

INSTALLATION INSTRUCTIONS SLIDING DOOR SYSTEM:

GENERAL INFORMATION

raumplus sliding door systems offer a wide range of variation possibilities. There are systems with and without bottom tracks, a great number of panel variations, doors for sloped ceilings and corner solutions or doors for special application purposes (lockable, application as room divider etc). For assembly of the sliding doors please use the Assembly Instructions.

These directions were created by people for people. We have made an effort to develop the instructions and pictures so that they are logical and easy to understand. If you should nevertheless find something to be unclear, please let us know so that we may revise that section.

Technical details are subject to change.

First of all, get a general idea about which **raumplus** series you would like to install..

Is your sliding door series called „AIR“?

In this case you have to follow the separate instructions for series "AIR".

Please check to see if you received all items by checking the delivery sheet. Please also look out for possible transport damage. In case of any damage please contact your supplier immediately. The single components are numbered on the detail drawing as well as on the delivery sheet – please check.

REMARKS: Read our Measurement Instructions, in order to find the correct measurements.

TOOLS:

Cross tip (Phillips) screwdriver for screws 2,9 – 4,5

Level

Allen wrench 4 mm + 1,5 mm (included)

Drill, 6 mm, 3,5 mm, 2,5 mm drill bits

Instant glue

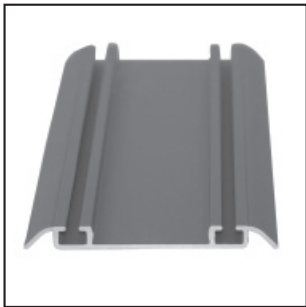
Pencil and / or masking tape

Rubber mallet

Metal saw

_TECHNICAL TERMS

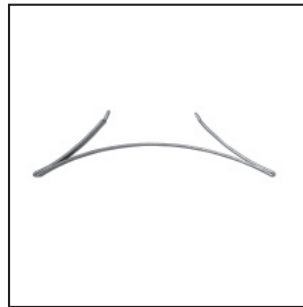
The details shown are to be understood as examples; a wide range of variations with similar designs are available:



1_



2_



3_



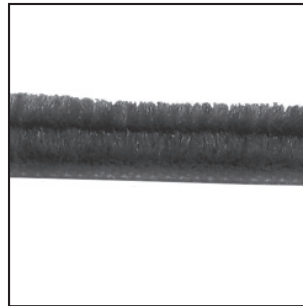
4_



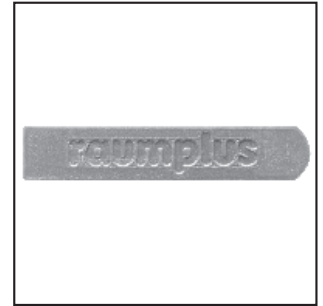
5_



6_



7_



8_



9_



10_

1_ Bottom track (14.06.0xx)_provided with adhesive tape on the bottom side and is available in single, double and triple version. Here the double version is pictured.

2_ Top track (14.35.0xx)_is to be screwed to the ceiling and is available in single, double and triple version. Here the triple version is pictured.

3_ Position spring (10.01.030)_keeps the sliding door closed. The position spring is pushed into the bottom track (only with a standard roller).

4_ Positioning for top tracks (10.01.02x)_has the same function as the position spring, but it is fitted in the top track.

5_ Bottom door stopper (10.01.031) and 6_ Top door stopper (10.01.033)_plastic stoppers, the bottom stopper (10) is pushed into the bottom track, the top stopper (11) is screwed into the top track so the doors do not slide out of their tracks (particularly with corner solutions). It is not possible to use the position spring here.

7_ Dust excluding brush (10.07.xxx)_serves to provide closure with the wall and between two doors that run one in front of the other and to cover up unevenness.

8_ Plug (10.07.xxx)_small adhesive cover plugs in different colours, which cover the punch / drill holes in the top and bottom of the stiles.

9_ Stopper for top track with cover (10.08.2xx)_is available for single, double, and triple top tracks.

10_ End cap for bottom track (10.09.0xx)_is available for single, double, and triple bottom tracks.

Note: Article number with „x“ are present in various variants!

_PREPARATION / INSTALLATION

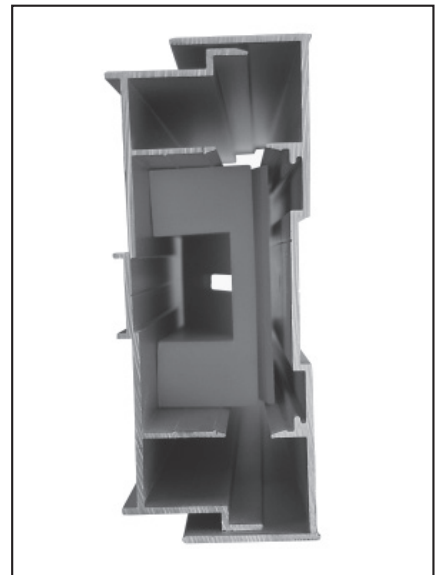
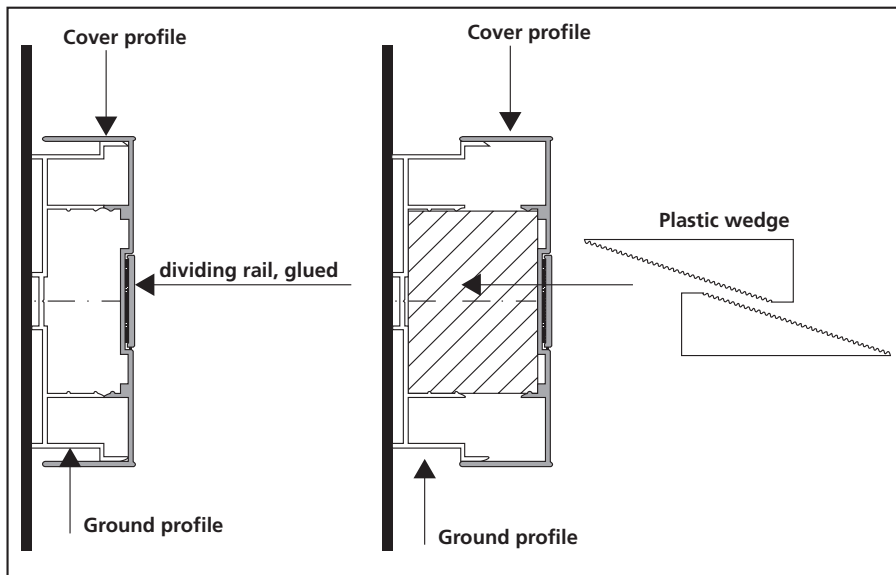
PREPARATION:

After having unpacked and checked all items, start your installation work. We recommend to read these instructions carefully before starting. When setting the doors temporarily aside, only lean the assembled doors on their lateral frame profiles (leaned on their side)– NEVER stand them straight up on the bottom rails. This would damage the rollers!

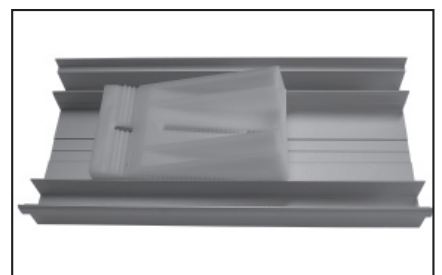
INSTALLATION:

You will find detailed descriptions of the assembly steps in the following chapters. It is important that you follow these steps in correct order otherwise your sliding door system could get damaged.

A_WALL CONNECTION (OPTIONAL):



Fasten the wall connection before the actual installation. Simply screw the ground profile to the wall or outer side, and with the help of the wedges adjust to the desired distance. Then attach the cover profile to the ground profile (set of screws is enclosed; use a 6 mm drill).



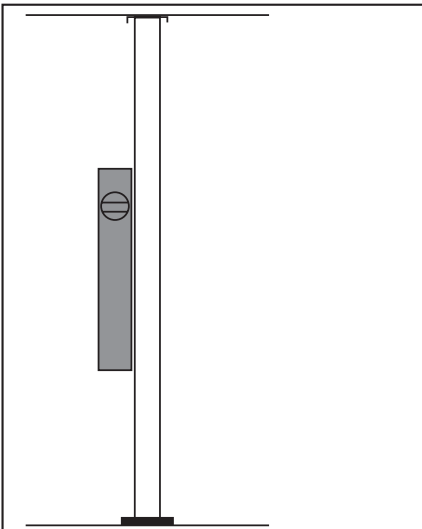
_INSTALLATION

B_INSTALL TOP TRACK:



- 1_Cut the top track with a metal saw to the correct length (top tracks are delivered a bit longer than necessary).
- 2_Mark the drill holes by holding the top track to the ceiling.
- 3_Drill with a 5 mm drill / fix the top track with 2 screws (4,5 x 25 mm) each per approx. 1000 mm, depending on the condition of the ceiling.

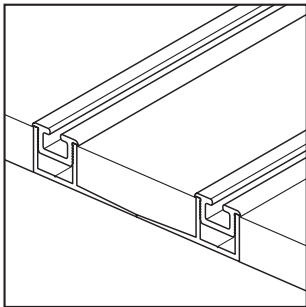
C_SLIDING DOORS / ADJUST BOTTOM TRACK AND DRILL HOLES FOR Positioning for top trackssS:



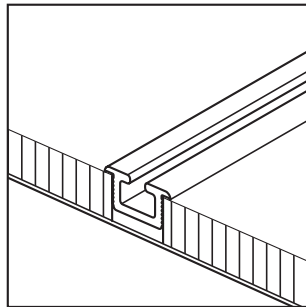
- 1_Slide one door into the top track. The position of the doors is determined when the order is placed.
- 2_Insert the door into the bottom track and push it towards the wall. Please make sure that the rollers are in retracted position during this procedure!
- 3_Put the door into vertical position with the help of a water level (move the bottom track with the door).
- 4_Check the vertical position alongside the whole bottom track and mark the position of the bottom track with a pencil or masking tape.
- 5_Remove the door and clean the floor beneath the bottom track.
- 6_Fasten the bottom track with double-sided tape.

_INSTALLATION

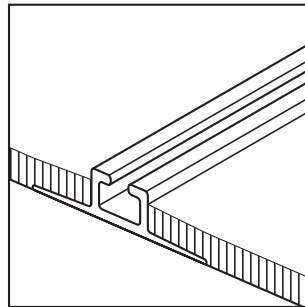
D_INSTALL BOTTOM TRACK AND PUSH IN POSITION SPRING:



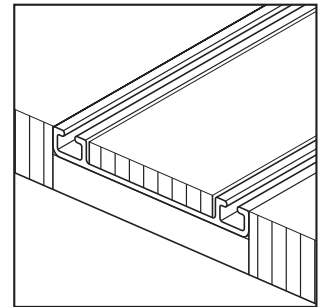
Tiles with insert bottom track



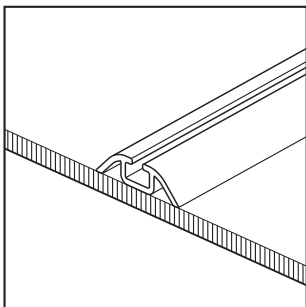
Insert bottom track



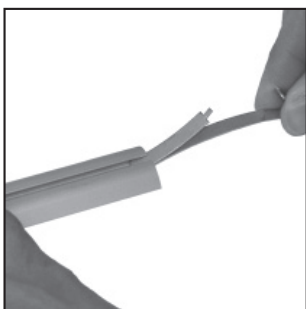
Carpet insert bottom track



Insert bottom track



Bottom track, surface



1_Cut the bottom track to correct length (bottom tracks are also delivered a bit longer than necessary) **DO NOT FASTEN** the bottom track yet!

2_Please take a careful look at the enclosed installation drawing. How many doors are to be installed and which type of bottom track is to be used?

3_Depending on door weight, push one to two position springs into the corresponding groove (**DO NOT ATTACH YET**).

Installation of an embedded bottom track is a bit more complicated. You have to cut into the carpet, the laminated floor or the tiles correspondingly and fit the bottom track in.

IMPORTANT! If you use security rollers do not use position springs in the bottom track. Instead use positioning for top tracks (see 1_, page 9). The exact location to place the positioning for top tracksss is found in the detail drawings on page 13).

WHICH POSITION SPRING IS THE RIGHT ONE? Height: 2500 mm

Position spring A: soft (10.01.230)

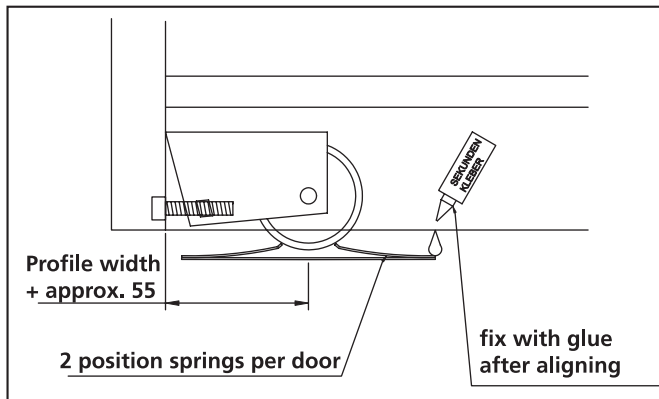
Position spring B: medium (10.01.030 / Standard)

Position spring C: hard (10.01.130)

Door width up to	600 mm		800 mm		1000 mm		1200 mm	
	weight	spring	weight	spring	weight	spring	weight	spring
Hardboard: 4 mm	9,5 kg	2 x A	11,7 kg	2 x A	13,8 kg	1 x B	16 kg	1 x B
Chipboard: 8 mm	11,9 kg	2 x A	14,9 kg	1 x B	17,8 kg	1 x B	20,8 kg	1 x B
10 mm	14 kg	1 x B	17,7 kg	1 x B	21,3 kg	1 x B	25 kg	2 x B
13 mm	17 kg	1 x B	21,9 kg	1 x B	27 kg	2 x B	31,3 kg	2 x B
16 mm	20,3 kg	1 x B	26,1 kg	2 x B	31,7 kg	2 x B	37,6 kg	2 x B
19 mm	23,5 kg	2 x B	30,3 kg	2 x B	37,1 kg	2 x B	43,9 kg	2 x B
Glass / mirror: 4 mm	18,5 kg	1 x B	23,7 kg	2 x B	28,8 kg	2 x B	34 kg	2 x B
5 mm	22,3 kg	1 x B	28,7 kg	2 x B	35,1 kg	2 x B	41,5 kg	2 x B
6 mm	26 kg	2 x B	33,7 kg	2 x B	41,3 kg	2 x B	49 kg	2 x C
8 mm	30 kg	2 x B	43,7 kg	1 x C	53,8 kg	2 x C	64 kg	2 x C

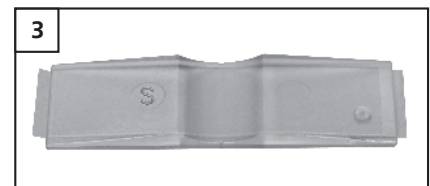
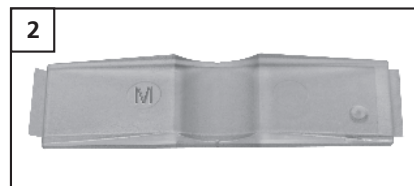
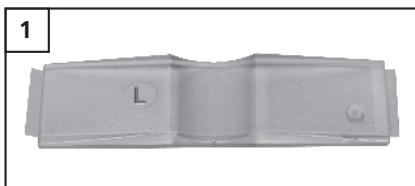
_INSTALLATION

E_POSITION SPRINGS FOR BOTTOM TRACKS:



- 1_Slide the doors into their positions (wardrobe closed).
- 2_Mark the positions of the bottom rollers within the bottom track, that means: where the position springs have to be situated (2 positions springs per door).
- 3_Push the position springs into the guiding track at the corresponding position of the rollers.
- 4_Affix the position springs with instant glue (glue not included).

F_POSITIONING FOR TOP TRACKS:



Top track positioning: 1_light (L) up to approx. 25 kg (10.09.230), / 2_medium (M) between approx. 20 - 35 kg (10.09.030), / 3_strong (S) between approx. 30 - 45 kg (10.09.130)

For instructions on how to install the positioning for tracks, please see the detailed assembly instructions for the top track positioning.

G_INSTALL / ALIGN SLIDING DOORS:

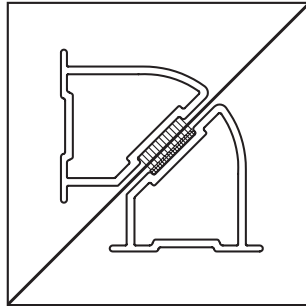


- 1_Now insert all your sliding doors (in the following order: back, middle then the front).
 - 2_Adjust the height of the doors with help of an 4 mm Allen wrench (see left picture).
 - 3_Cover the drill holes of the frame with the enclosed adhesive plugs (if no dust excluding brush is used).
- The sliding doors should close against the walls without a gap. Please draw your attention to the left and the right wall and not to the top track and bottom track. The doors between the right and the left door are then centered.

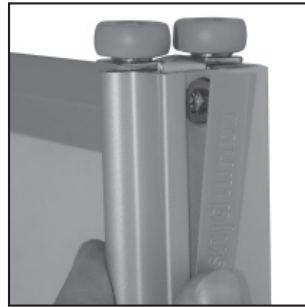
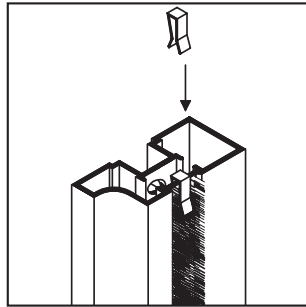
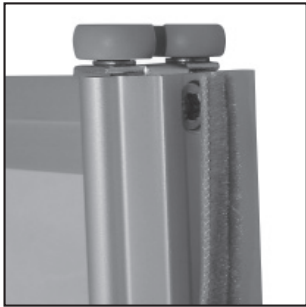
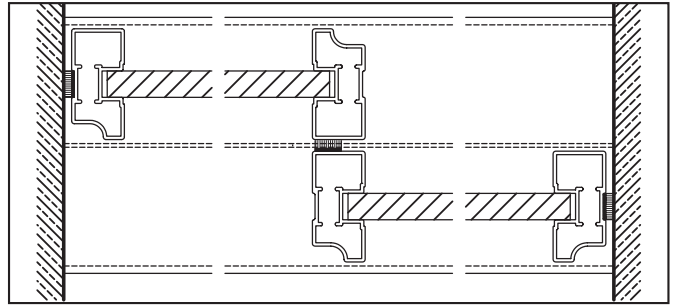
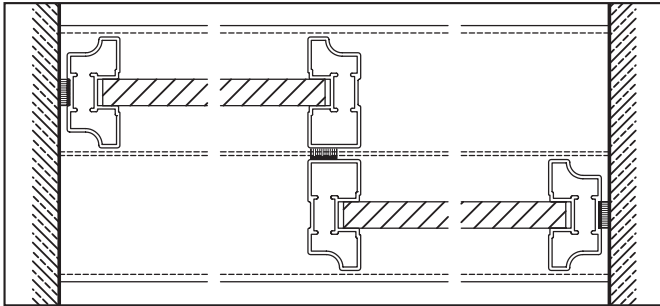
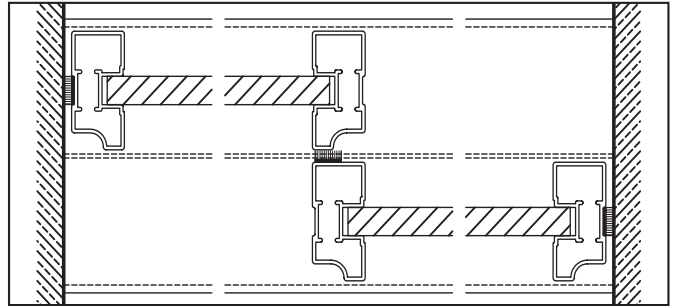
_INSTALLATION

H_ATTACH DUST EXCLUDING BRUSH AND PLUGS:

Dust excluding brush are to be glued onto the stiles of the frame profiles in the following positions (3 different possibilities for this stile):



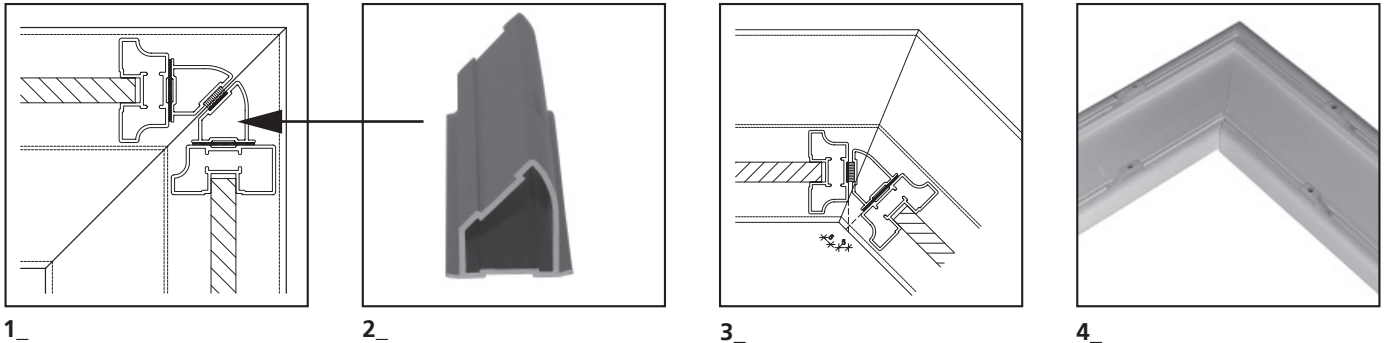
_Corner solution



Glue the dust excluding brush on the side of the profile that will come into contact with the wall. Attach the clips to the ends of the brush at the top and bottom to prevent the brush from peeling off with time. Important: The doors in front have additional dust excluding brush attached to the back. Glue the plugs over the top of the punch holes of those profiles that do not have dust excluding brushes.

_INSTALLATION

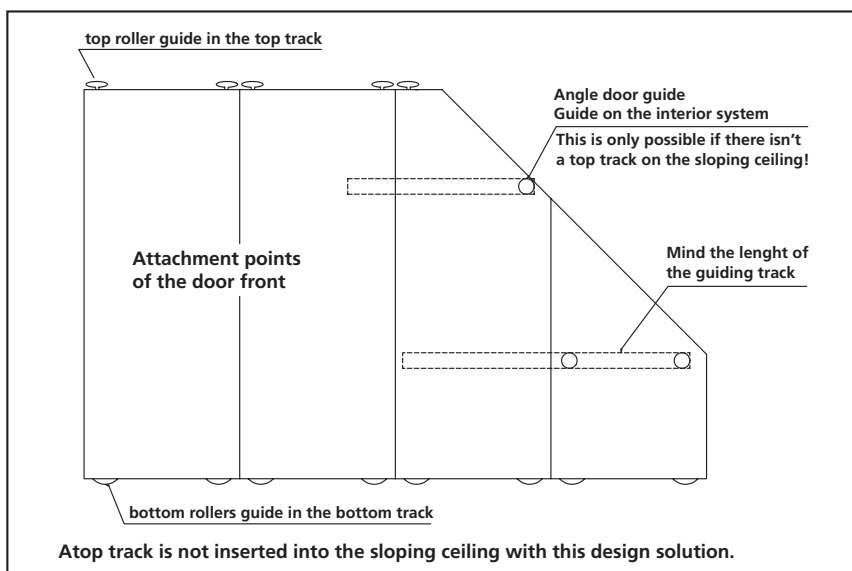
I_CORNER SOLUTIONS:



The corner profiles are attached on the stiles with double-sided tape (picture 1_ and 2_). It is important that you first adjust the height of the sliding doors (see step E_). You only need one dust excluding brush. For corners with an angle of more than 90° you only need one corner profile (picture 3_). For a corner installation you insert 2 stoppers in the top track and 4 stoppers in the bottom track. In the empty track (when the doors are closed) there are 2 top stoppers and 2 bottom stoppers; in the other track there are only bottom stoppers. In the area where there is a bottom stopper you cannot insert a position spring. Exception: Constructions with safety rollers cannot contain bottom stoppers.

IMPORTANT: Only applicable for the series 300, 640, 650, 653, 750, 751, 752, 753 as a 90° corner solution and for the series 1001, 1500 and 3000 as 90° and 135° corner solution!!!

SLOPED CEILINGS:



1_LATERAL ANGLE / FOR ANGLED DOORS IN FRONT OF AN INTERIOR SYSTEM.

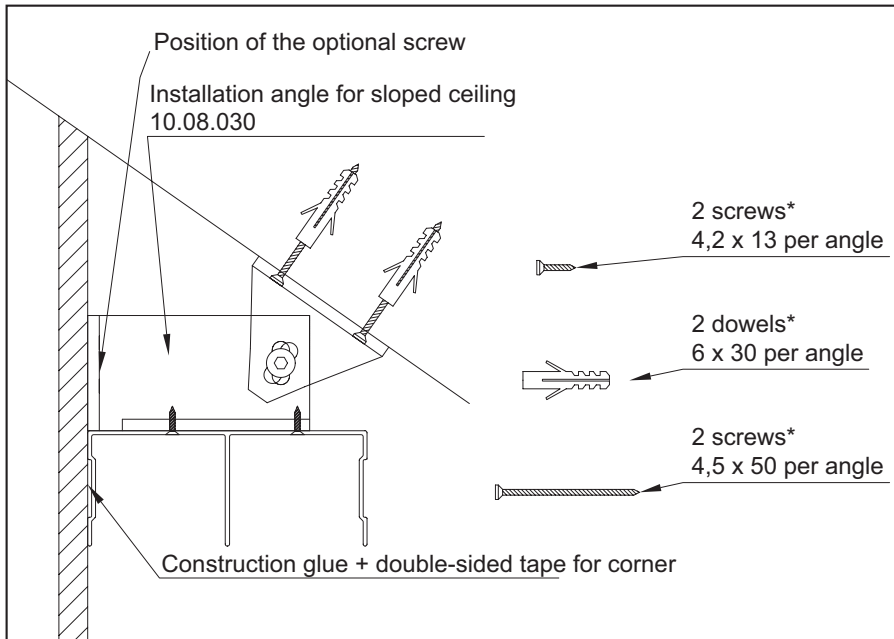
For instructions on how to install angled doors, please see the detailed assembly instructions for the angled door guide. The arrangement of the doors has already been determined in the order form.

2_FOR ALULINE:

Angled door guide: The same installation specifications apply as with the classic design (5 mm shorter construction shelf).

_INSTALLATION

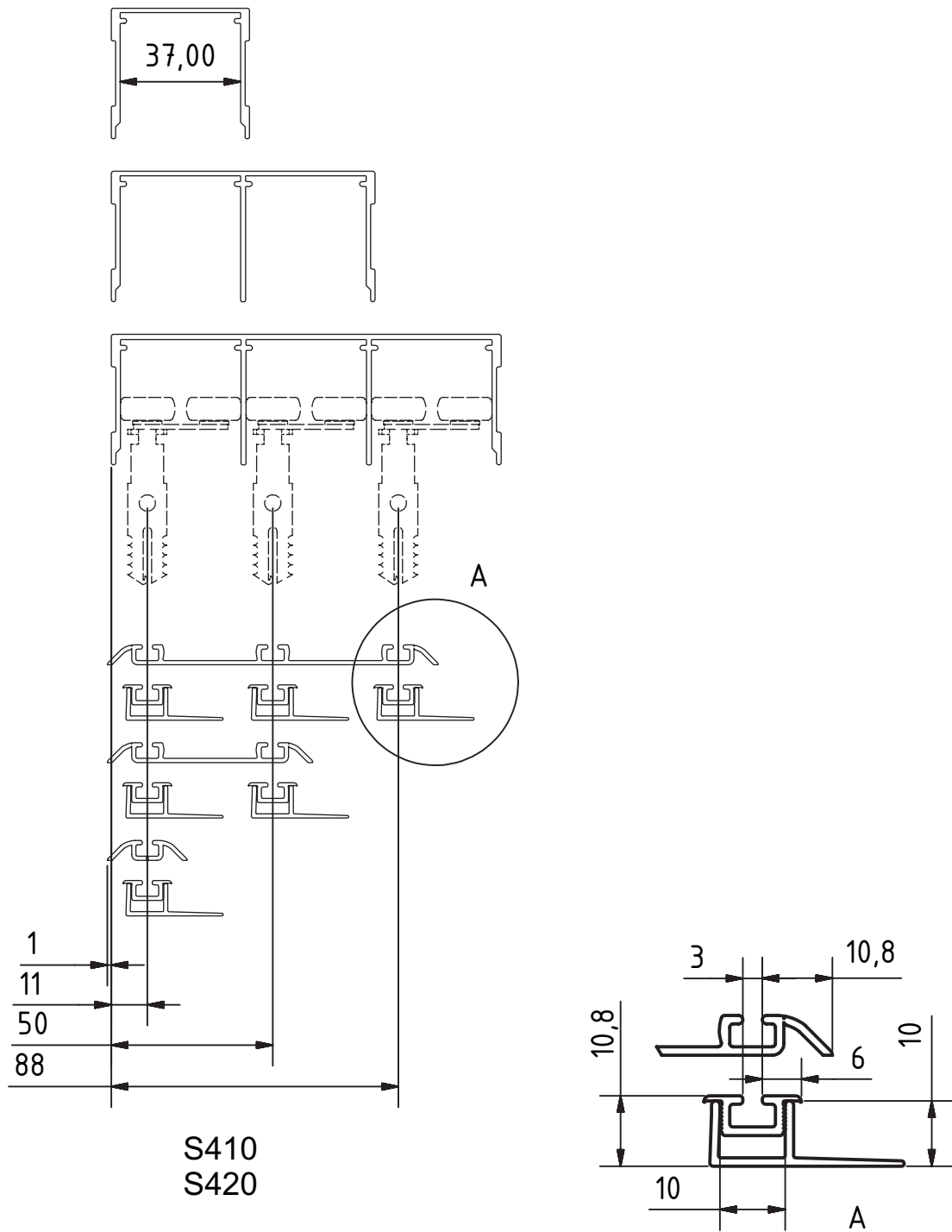
4_SLOPE BACKWARDS:



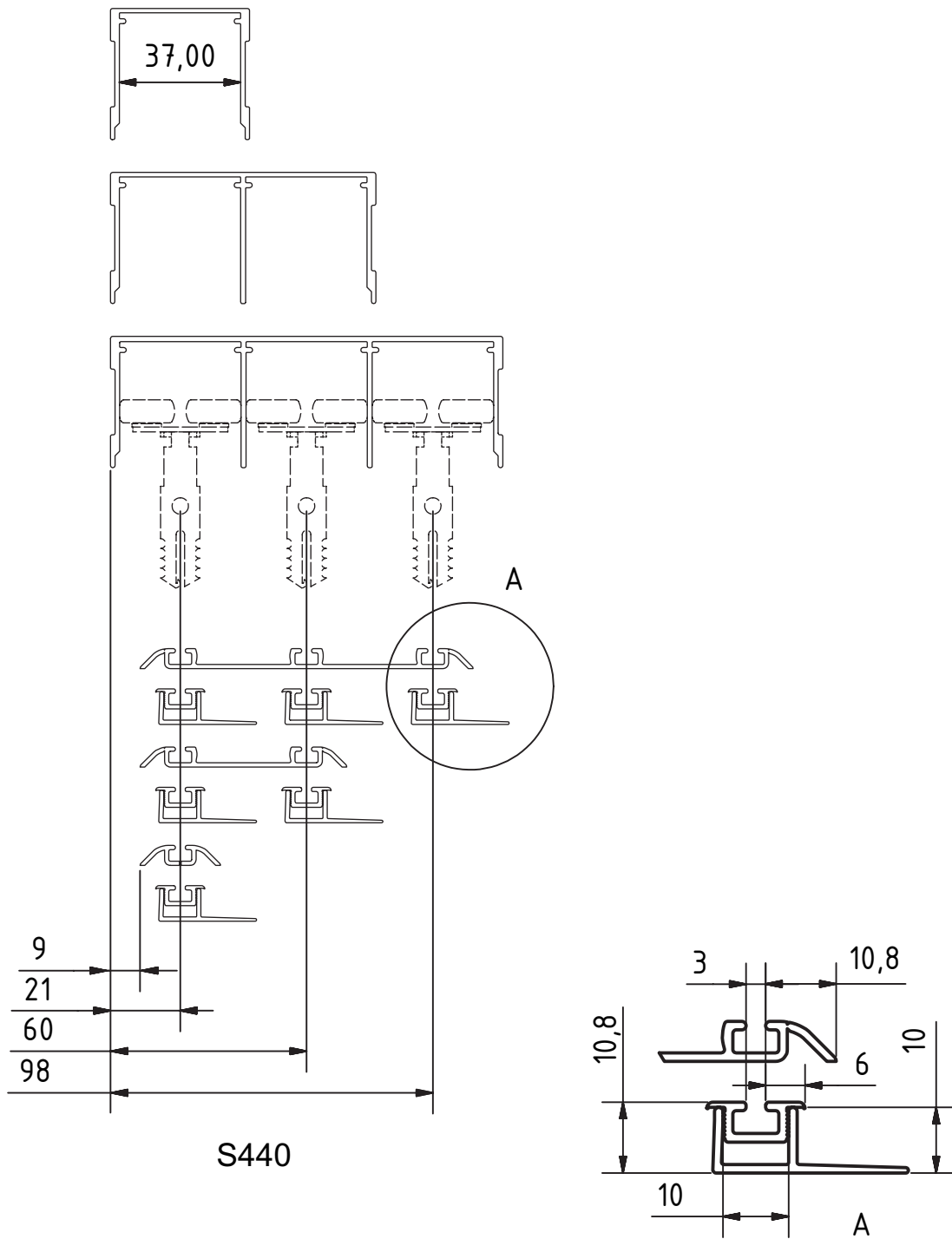
*not included in delivery

- 1** First, cut the top track to the exact length. Mount the installation angle for sloping ceilings onto the top track so that the faceplate holder is flush with the front edge of the top track. Use the enclosed screws for the installation. They will be screwed through the top track in the underside of installation angle for sloping ceilings.
- 2** Screw the installation angle for sloping ceilings to the substructure unit using the Allen screw, nut, and washer and then lightly tighten the nut using your hand. Then hold the installation angle for sloping ceilings together with the top track on the wall, level everything horizontally, and screw down the set screws.
- 3** Position the system and mark the installation holes on the sloping ceiling.
- 4** Unscrew the top parts from the bottom parts and attach the top parts using screws and dowels to the designated position. It is important for the installation to be done properly. Now the top track is put back into position, aligned, and tightened using the Allen screw.
- 5** You can close the gap between the sloping ceiling and underside of the top track using a faceplate. (The faceplate can be screwed onto the faceplate holder, glued with adhesive, or attached with double-sided tape. Thereby the faceplate stays attached to the top track and the adjustment can be slanted with planes.
- 6a** Attach double-sided mirror tape to keep the faceplate mounted until the adhesive has completely dried (suitable adhesive). With faceplates thicker than 10 mm or higher than 250 mm, it is necessary to additionally secure it with screws, one per 500 mm of faceplate.
- 6b** When choosing screws it is important to pay attention to their length so that the front of the faceplate is not damaged (dependent upon the thickness of the faceplate). In order to avoid damaging the faceplate, first take off the top track and then screw the faceplate (back-mounted) to the installation angle for sloping ceilings.
- 6c** Apply the adhesive and the double-sided tape to the top track and then affix the top track onto the installation angle for sloping ceilings. Attach the faceplate with double-sided tape and adhesive to the top track.

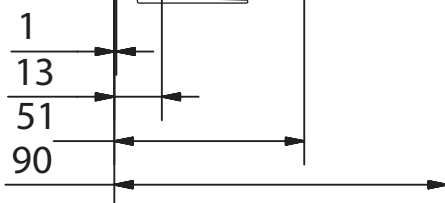
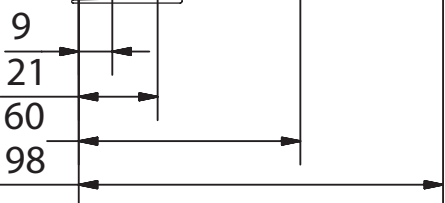
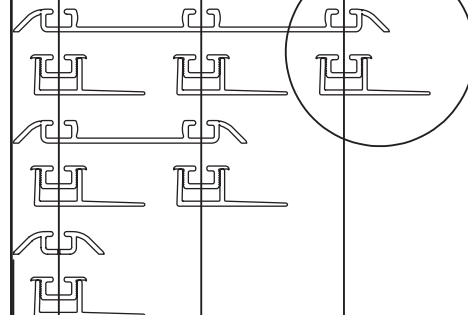
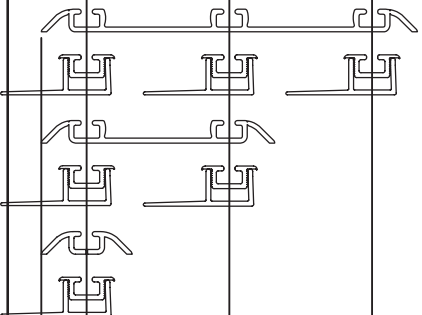
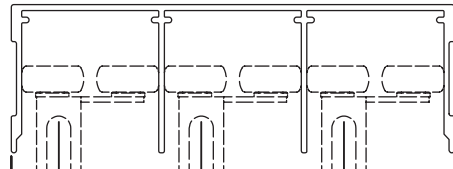
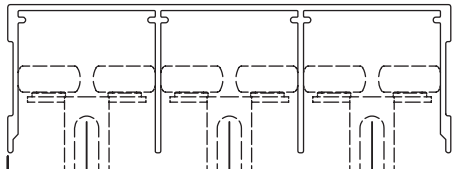
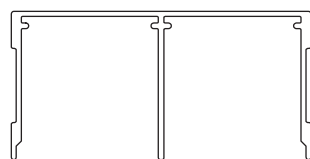
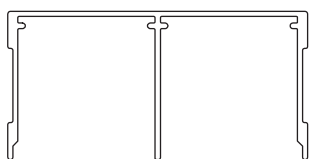
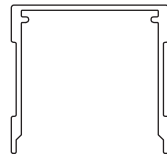
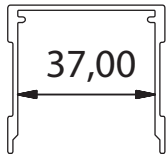
_DETAIL DRAWINGS



_DETAIL DRAWINGS

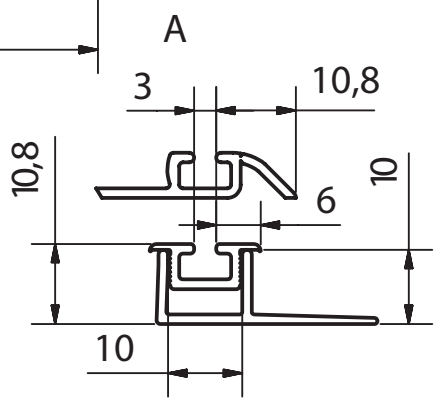


_DETAIL DRAWINGS

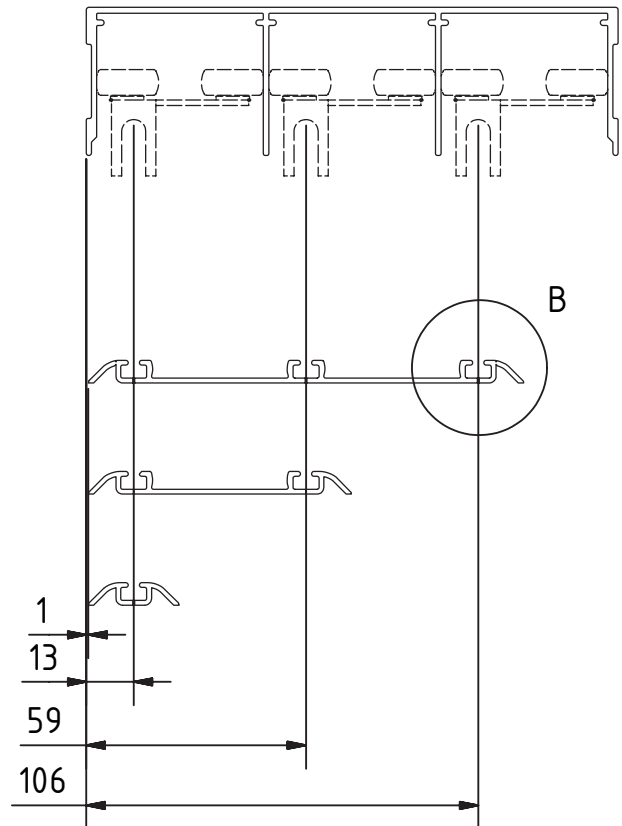
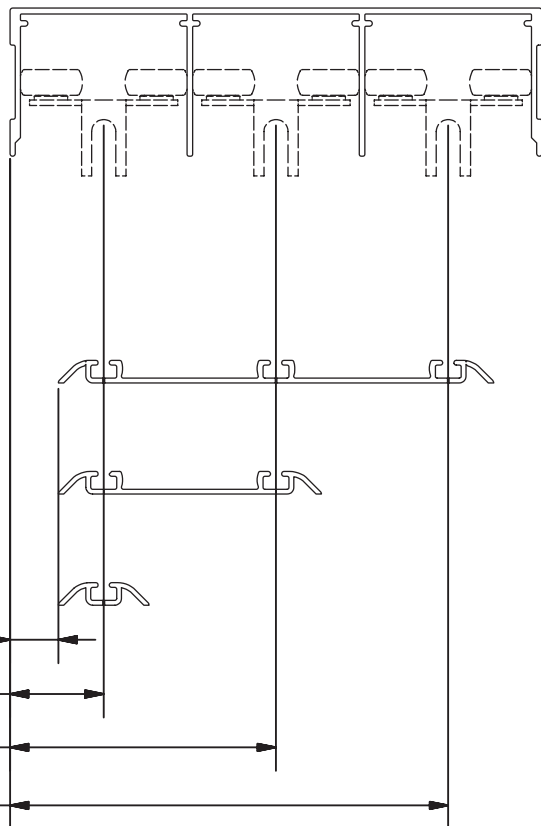
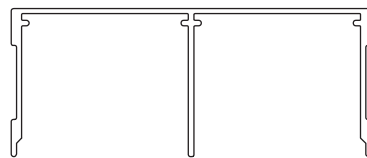
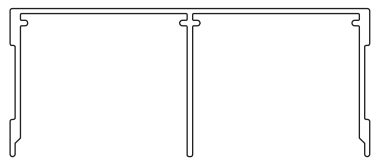
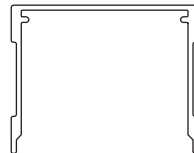
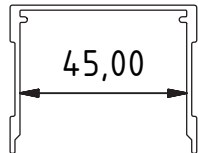


S300
S640
S650
S653
S750
S753
S791

S751
S752
S777



_DETAIL DRAWINGS



S1000
S1500
S3000

S1001
S1500 (Nur asymmetrisch unten Querprofil)
(Only asymmetric bottom vertical profile)

