

SLIDING DOOR SYSTEMS: INSTALLATION INSTRUCTION

CABLE CHANNEL

ACCESSORIES:

5th version_February 2007



1_



2_



3_

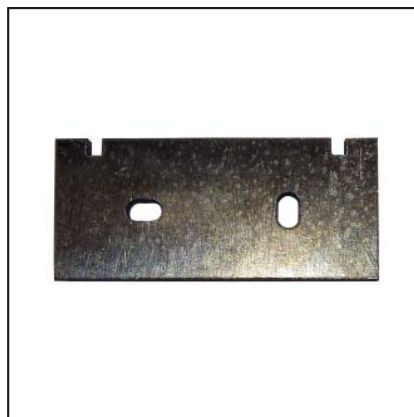
1_ Cable channel bottom profile (13.72.0xx)_

2_ Cable channel cap profile (13.74.0xx)_

3_ Equipment installation box (10.72.010)_



4_



5_



6_

4_ Cable channel claw (10.72.030)_

5_ Floor installation plate for cable channel (10.72.020)_

6_ Ceiling track stop (10.08.280)_

7_ Adhesive tape (95.02.025)_

easy

medium

difficult *

Execution



Construction

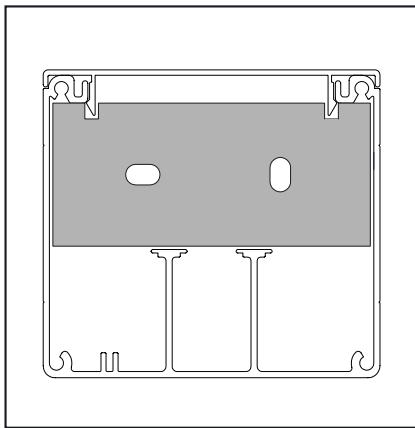


raumplus

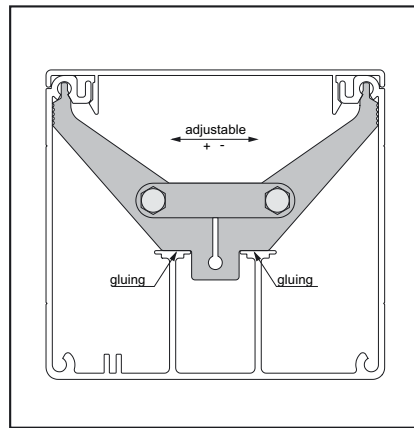
*Reference for the level of difficulty is a standard sliding door without slant.
This should be ranked as "easy" in respect to construction and installation.

INSTALLATION INSTRUCTIONS FOR THE CABLE CHANNEL

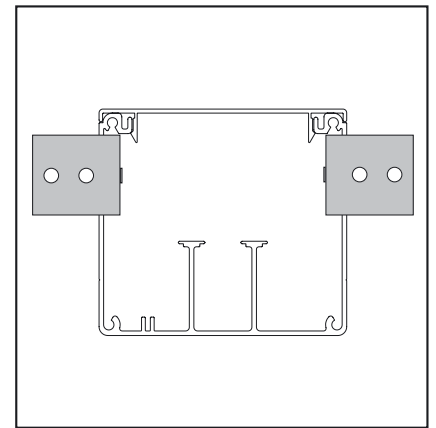
INSTALLATION OF THE CABLE CHANNEL:



1_



2_



3_

_First slit the cable channel for the middle bar of the ceiling track according to the detail drawing on page **06_fig. J** on both sides. The cable channel is combined with solid components but can also be attached as a freestanding element in the room. In that case, the slitting on both sides of the channel is omitted.

Now the floor installation plate for the cable channel is mounted in the desired position and the cable channel is placed above it. This attaches it to the floor so that it can no longer shift around (see image **1**).

_The cable channel claw is placed with the claw first into the guides intended for it (Number and position see sample applications on the sides **06_07**) and then aligned in a straight manner in the area of the seam. Re-align the spreader's width if required and mount it with the two hexagonal bolts. After the installation, attach the cable channel claw to the cable channel at the connections with glue; we recommend Loctide 480 item no. 16613 (see image **2_**).

Afterwards the two ceiling track stops are positioned in the front area of the cable channel and are attached from the exterior into the ceiling track with two screws each (see image **3**).

NOTE ON THE INSTALLATION OF THE DOOR MOUNTING:



1_



2_



3_

_As a rule, you should stick adhesive tape onto the track of the cap profile of the cable channel (adhesive tape item no. 95.02.025). This will lead to a noise reduction.

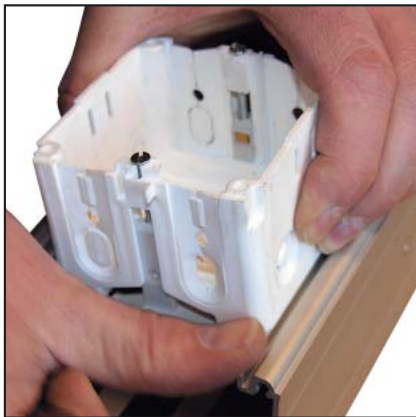
_Then set the cap profile onto the bottom profile.

_In addition, a floor or ceiling stop has to be mounted on the side of the cable channel in the respective track.

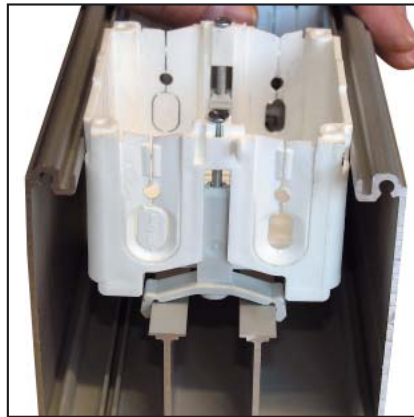
_It should generally be avoided to have sliding doors run against a cable channel.

INSTALLATION INSTRUCTIONS FOR THE CABLE CHANNEL

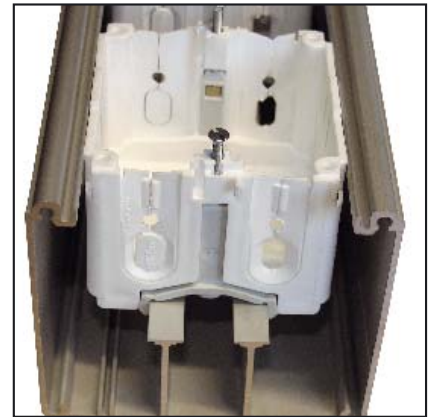
MOUNTING THE EQUIPMENT INSTALLATION BOX IN THE CABLE CHANNEL:



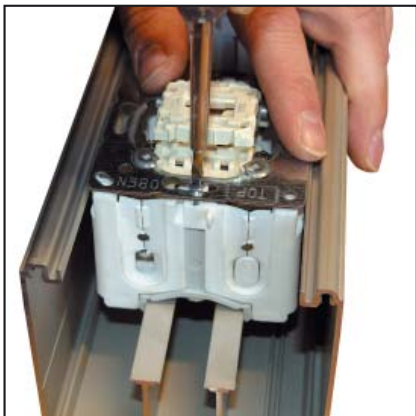
1_



2_



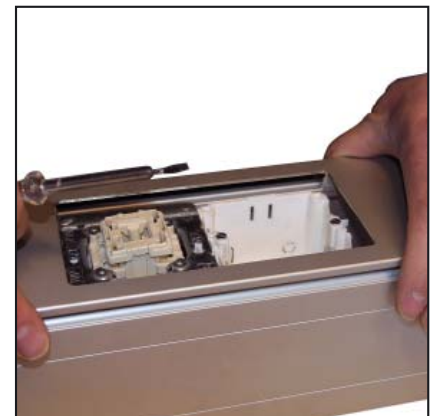
3_



4_



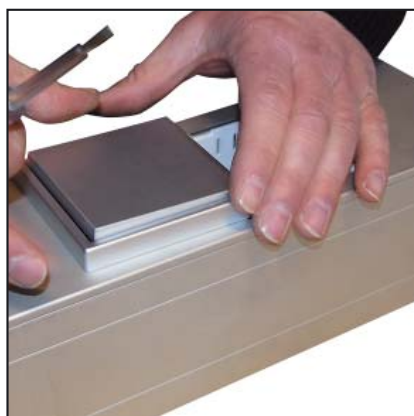
5_



6_



7_



8_

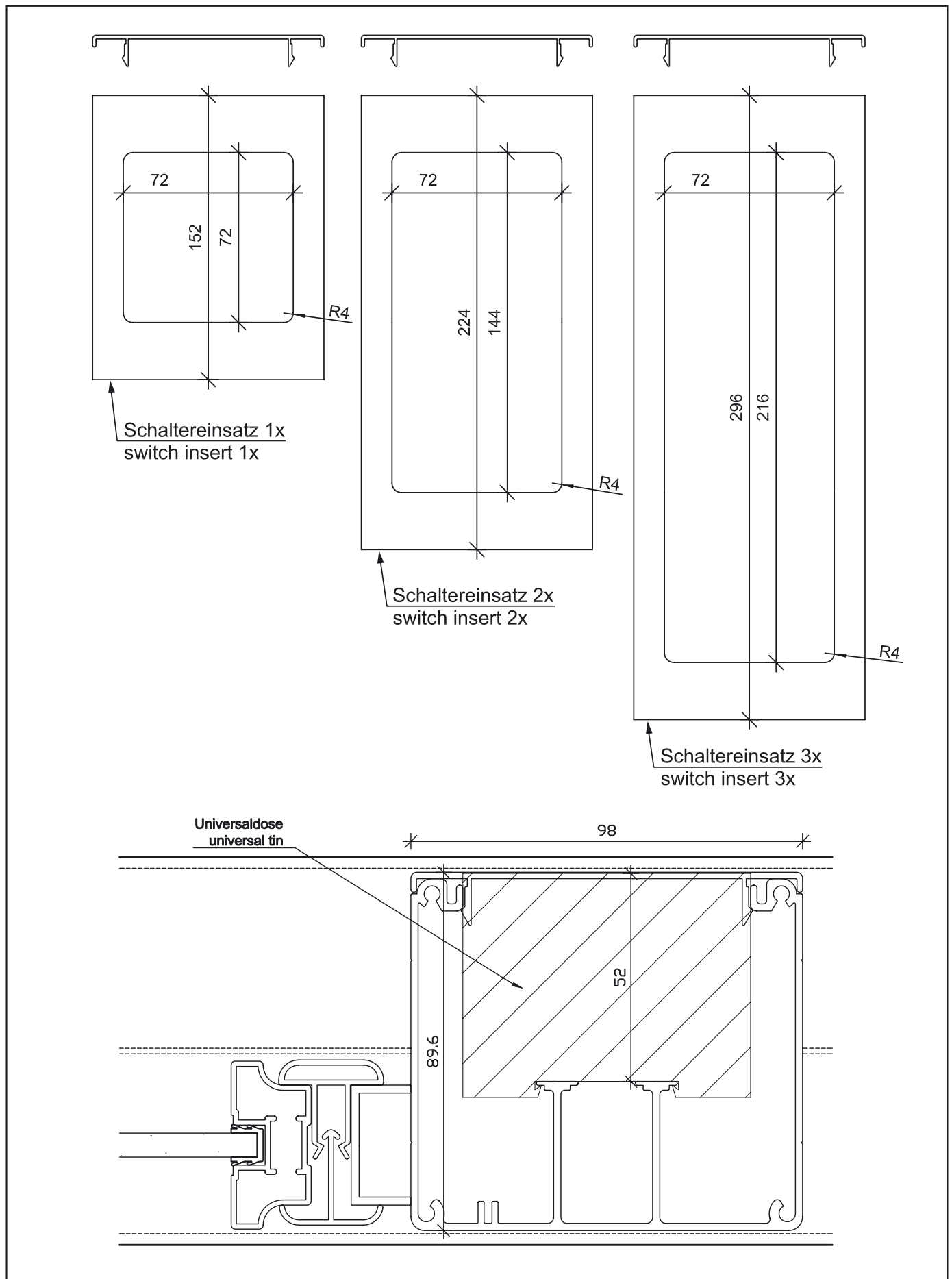
After you have attached the cable channel, place the equipment installation box in the desired position and screw it in tightly (see image 1 to 4_).

Then place the cap profile with the cut-out for the equipment installation box onto the floor profile and press it on tightly (see image 5 and 6_).

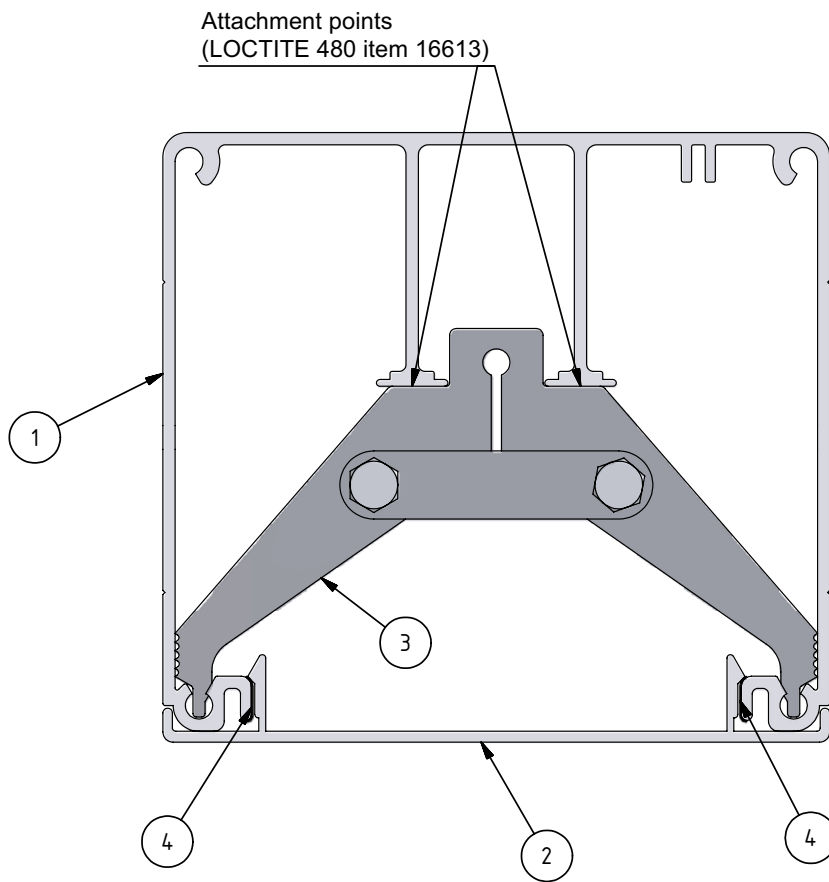
In the end, place the switch, outlet or other devices into the equipment installation box and adhere it (see image 7 and 8_ with switch).

IMPORTANT: Please have an electrician attach all the electrical installation components!

DETAIL DRAWING OF THE CABLE CHANNEL COVERINGS:



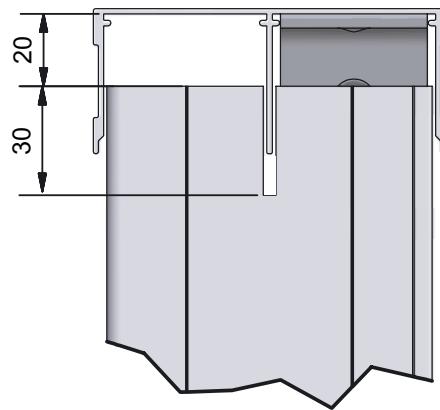
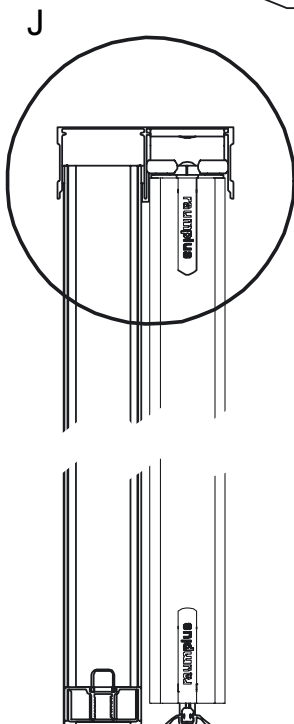
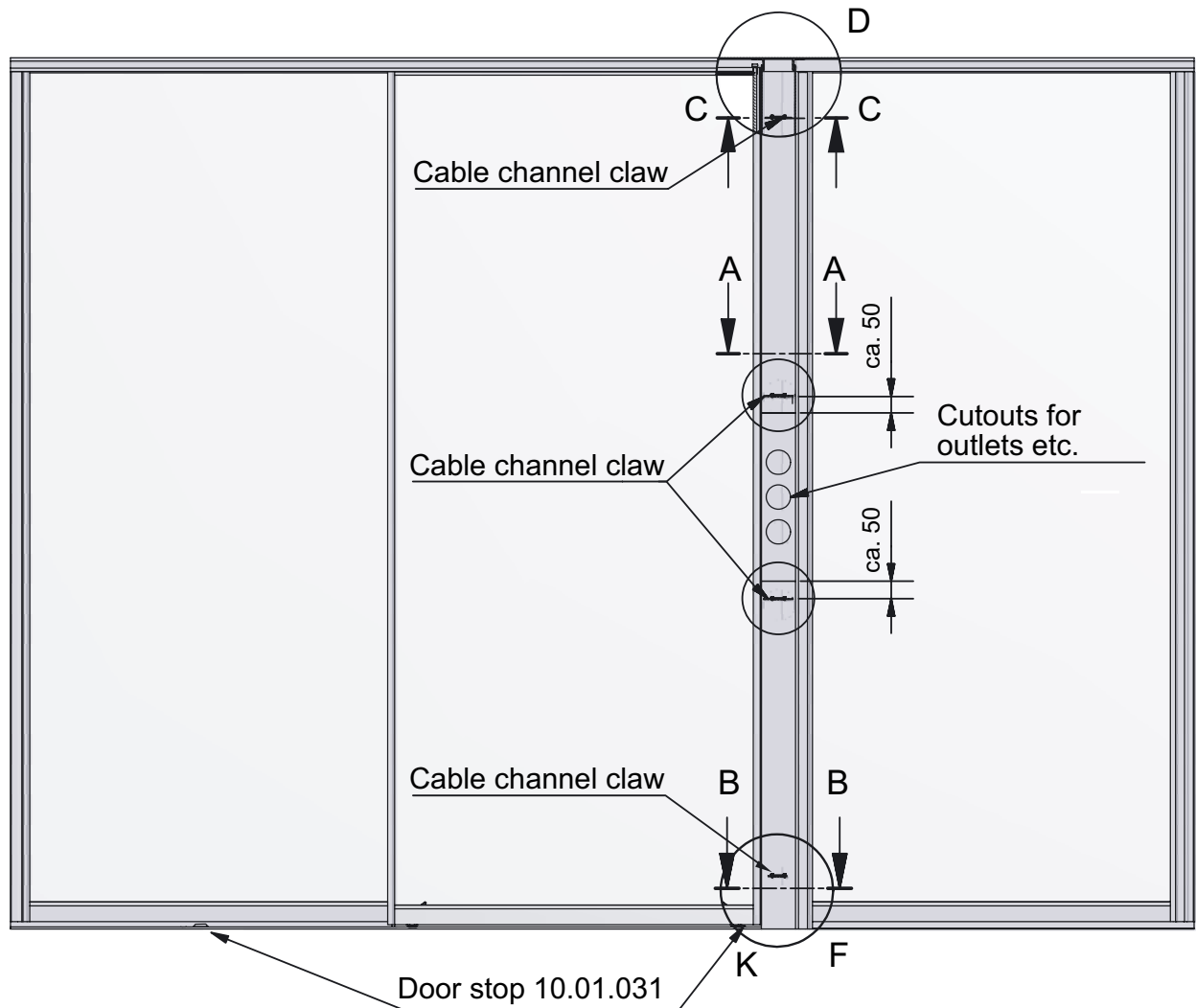
DETAIL DRAWING OF THE CABLE CHANNEL CLAW:



Item list

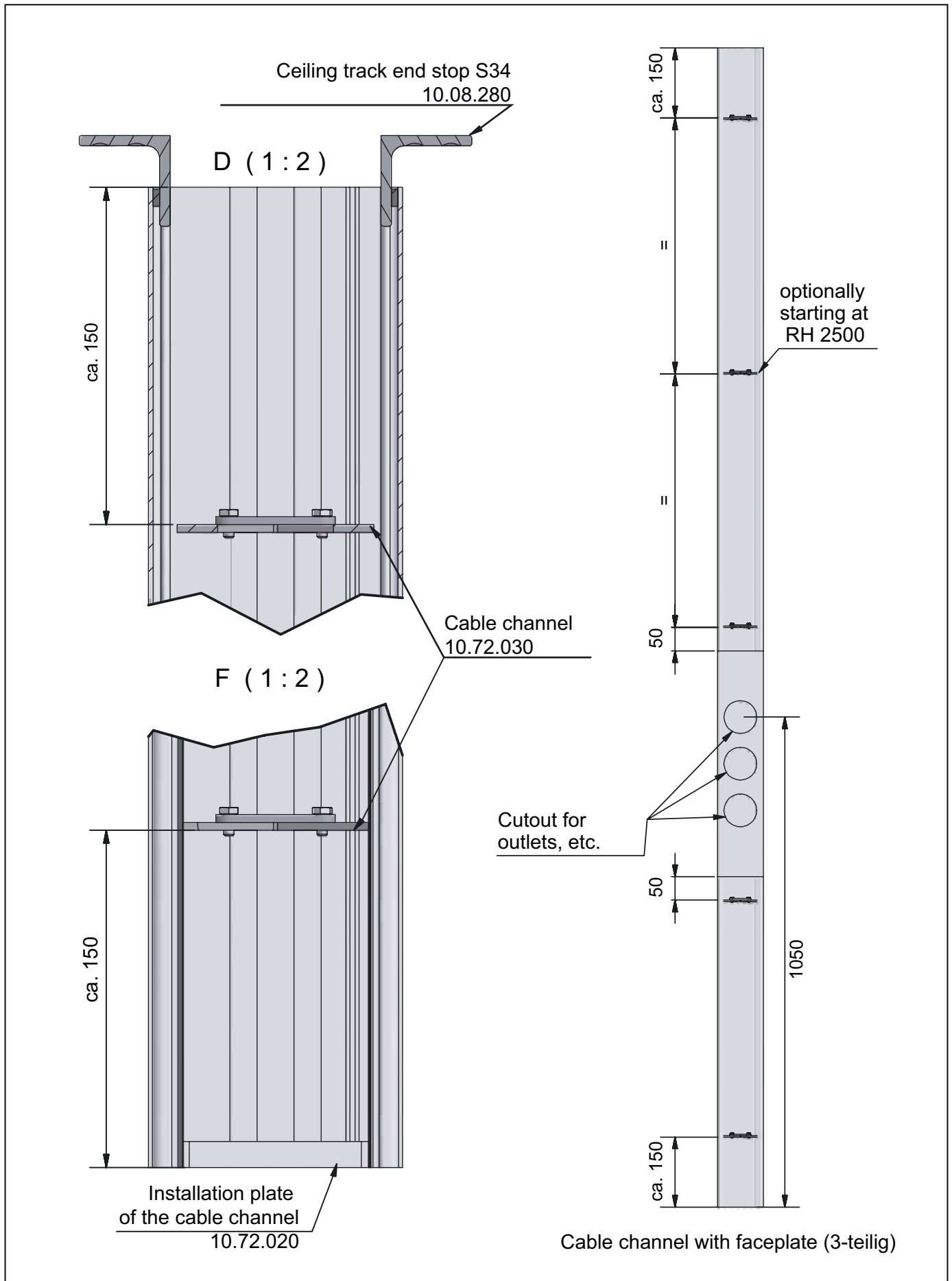
OBJECT	QUANTITY	COMPONENT NUMBER	DESCRIPTION	MATERIAL
1	1	13.72.0xx	Cable channel bottom profile	EN AW 6060
2	1	13.74.0xx	Cable channel cap profile	EN AW 6060
3	1	10.72.030	Cable channel claw compl..	steel
4	1	95.02.025	Adhesive tape	synthetics

DETAIL DRAWING:

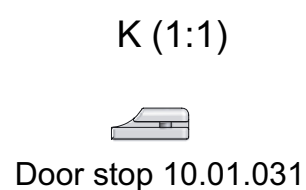
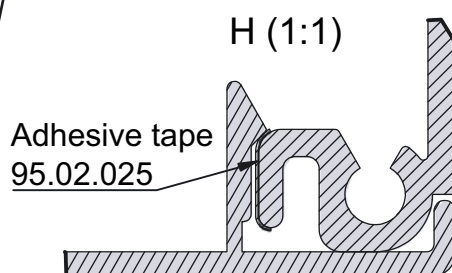
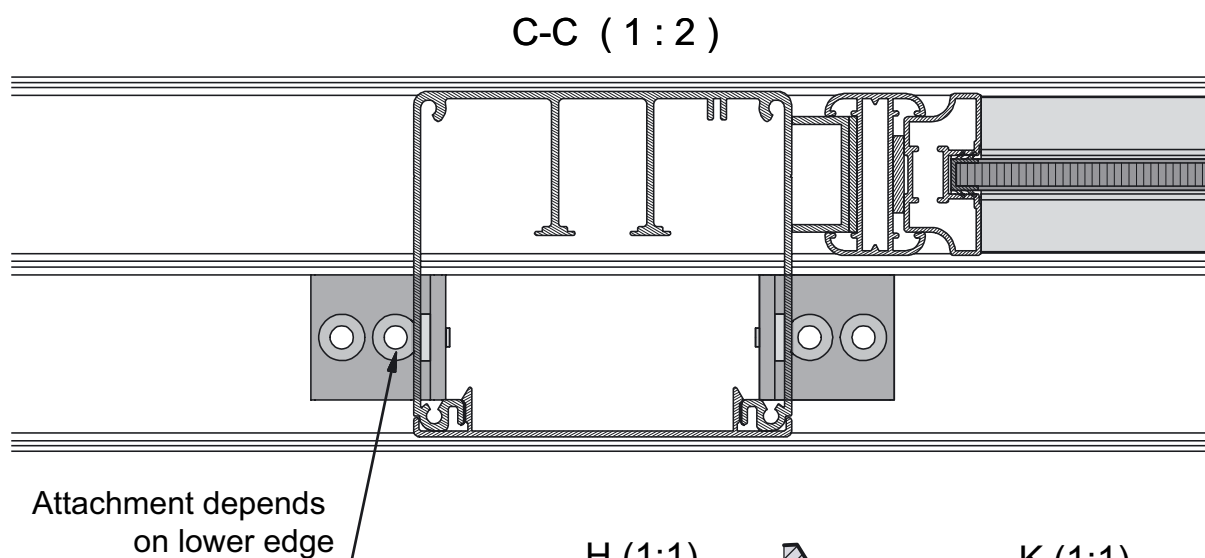
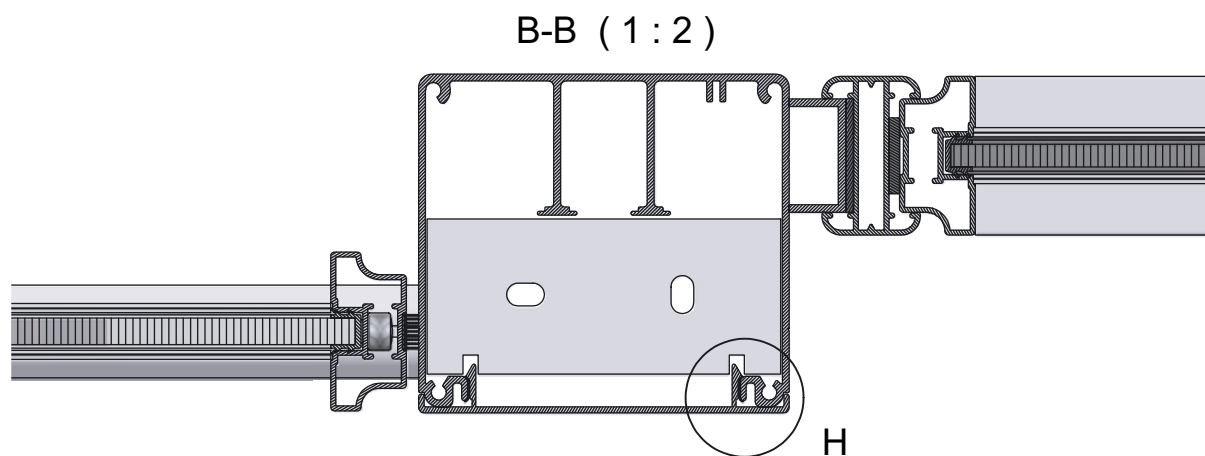
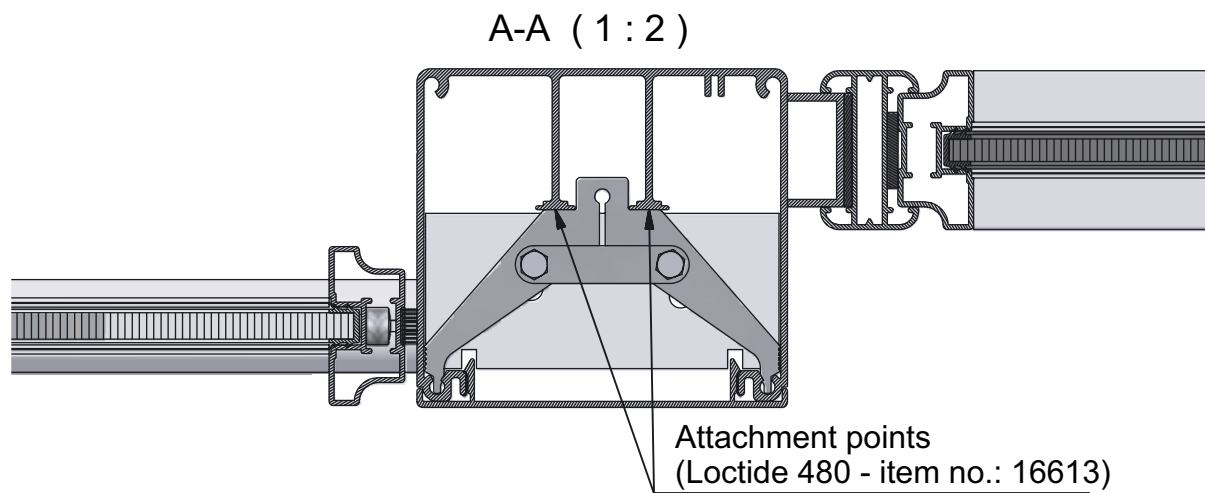


J (1:2)

DETAIL DRAWING:



DETAIL DRAWING:



Subject to technical changes.