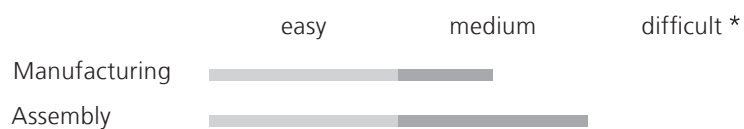


# SLIDING DOOR SYSTEMS: INSTALLATION INSTRUCTIONS AIR-SYSTEM WITH COVER



\*Base for the degree of difficulty is a standard sliding door without slant.  
This is to be classified as ,easy' in respect to production and installation.

**raumplus**

# INDEX\_

5<sup>th</sup> edition Bremen, January 2006

**General information / Tools**\_page 3

**Technical terms**\_page 4-5

**Preparation**\_page 5

**Assembly / Installation**\_pages 5-8

A\_Install top roller into insert profile

B\_Installation of the wall connection profile and insert profile

C\_Install stopper and brake for top roller

D\_Install fixation for top roller at the door

E\_Installation of ground plate

F\_Hanging the door

G\_Install cover

**Detail drawings**\_pages 9-13

# \_GENERAL INFORMATION / TOOLS

## ASSEMBLY INSTRUCTIONS AIR-SYSTEM:

### GENERAL INFORMATION

The **raumplus** AIR-system offers a wide range of variety and versatility. It does not need a bottom track and can directly be installed to the ceiling or to the wall. Especially the AIR-system with cover can easily be installed and is even adjustable. Furthermore the AIR-system with cover offers the ability to use a synchron drive mechanism with or without motor drive.

These directions were created by people for people. We have made an effort to develop the instructions and pictures so that they are logical and easy to understand. If you should nevertheless find something to be unclear, please let us know so that we may revise that section.

**Technical details are subject to change.**

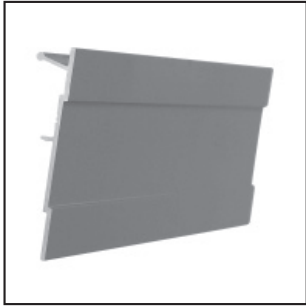
Please check to see if you received all items by checking the delivery sheet. Please also look out for possible transport damages. In case of any damage please contact your supplier immediately.

**REMARKS:** Read the measurement instructions.

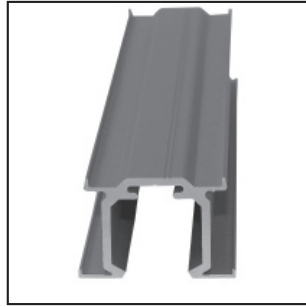
### TOOLS:

Cross tip screwdriver (Phillips)  
Allen wrench 2 mm and 4 mm  
Drill 6 mm, 3,5 mm, 2,5 mm drill bits  
Rubber mallet  
2 open ended-spanners (13 mm)  
Hack saw / carbide tip blade

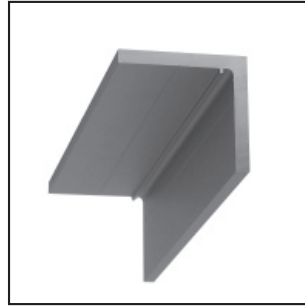
# \_TECHNICAL TERMS



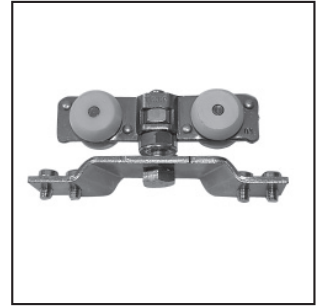
1\_



2\_



3\_



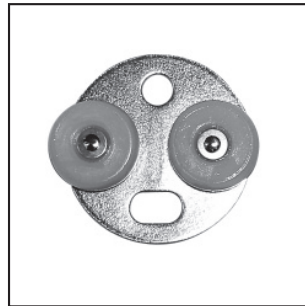
4\_



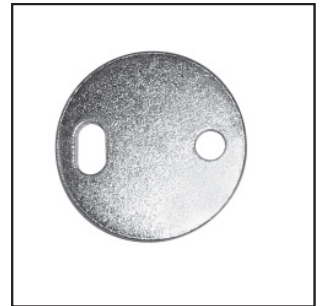
5\_



6\_



7\_



8\_



9\_



10\_



11\_

**1\_ Cover for insert profile (14.50.0xx)** is to be fixed (clasped) onto the insert profile / slide rail and covers the top roller.

**2\_ Top track insert system AIR (14.55.020)** is either to be mounted in the top track or at the wall connection profile or directly to the ceiling.

**3\_ Wall connection profile (14.54.020)** is to be affixed to the wall and holds the AIR track.

**4\_ Top roller (10.06.010)** is pushed into the top track.

**(5\_ Brake for top roller (10.05.030)** is to be put between the rollers of one door.)

**6\_ Wall outlet with guiding (10.05.022)** to mount the bottom guiding to the wall / cannot be used in conjunction with the wall connection profile.

**7\_ Groundplate with roller (10.05.020)** is to be installed on the floor and serves for the guiding on the floor.

**8\_ Groundplate without roller (10.05.025)**

**9\_ Stopper for top roller with brake (10.05.015)** is to be placed at the end of the insert profile.

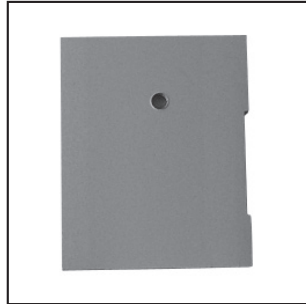
**10\_ Stopper for top roller without brake (10.05.060)** is to be placed at the end of the insert profile.

**11\_ Connector for end cap (10.05.290)** to fasten the end cap to the insert profile.

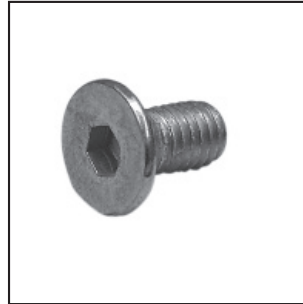
## \_TECHNICAL TERMS / PREPARATION



13\_



14\_



15\_



16\_

**13\_ End cap for insert profile (10.05.xxx)**\_using 2 cover profiles, the end cap is to be placed at the open end of the insert profile (see picture top left).

**14\_ End cap for wall connection profile (10.05.296 left / 10.05.297 right)**\_see above.

**15\_ Screw for wall connection profile (10.07.081)**\_to affix the insert profile AIR to the wall connection profile

**16\_ Nut for wall connection profile (10.07.082)**\_to affix the insert profile AIR to the wall connection profile.

**You need the following items for the assembly of an AIR-door:**

**1\_ Stile S1500 sym. (13.01.0xx)**\_forms together with top- and bottom rail the frame of the sliding door.

**2\_ Stile S1500 asym. (13.11.0xx)**\_see above.

**3\_ Stile S3000 sym. (13.61.0xx)**\_see above.

**4\_ Stile S3000 asym. (13.51.0xx)**\_see above.

**5\_ Top and bottom rail AIR-system (13.12.0xx)**\_forms together with stile the frame of the sliding door.

### PREPARATION:

After having unpacked and checked all items we recommend reading these instructions carefully before starting your assembly / installation work .

### ASSEMBLY / INSTALLATION:

You will find detailed descriptions of the assembly steps in the following chapters. It is important that you follow these steps in correct order otherwise your sliding door system could get damaged.

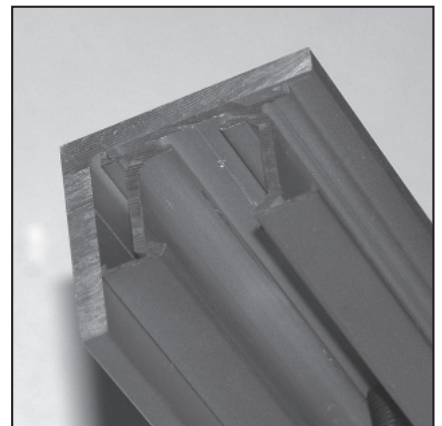
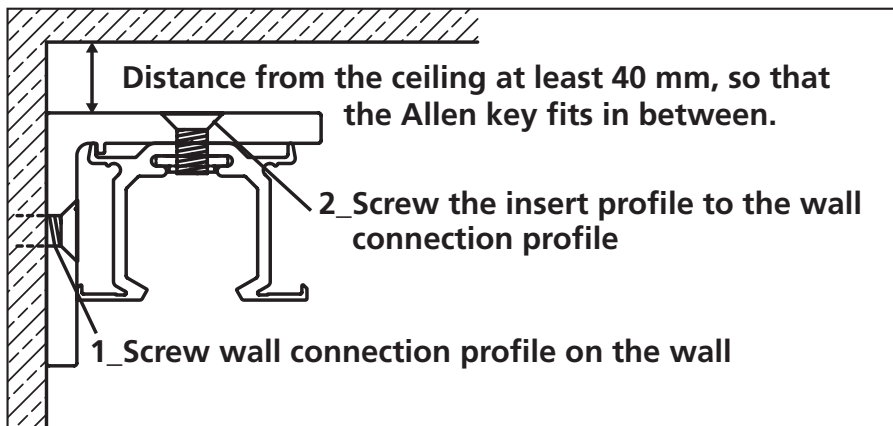
# \_ASSEMBLY / INSTALLATION

## A\_INSTALL TOP ROLLER INTO INSERT PROFILE:



Push the upper parts of the top rollers, which you have previously disassembled, into the insert profile. In case the insert profile is to be installed from wall to wall, please make sure that you push in both top rollers, the brake between the rollers as well as the stoppers before installation into the insert profile.

## B\_INSTALLATION OF TOP TRACK / INSERT PROFILE:

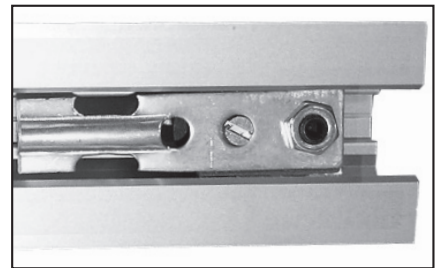
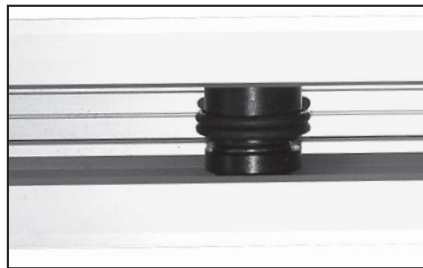
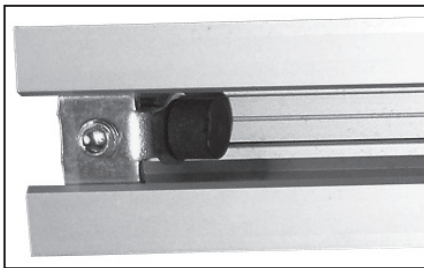
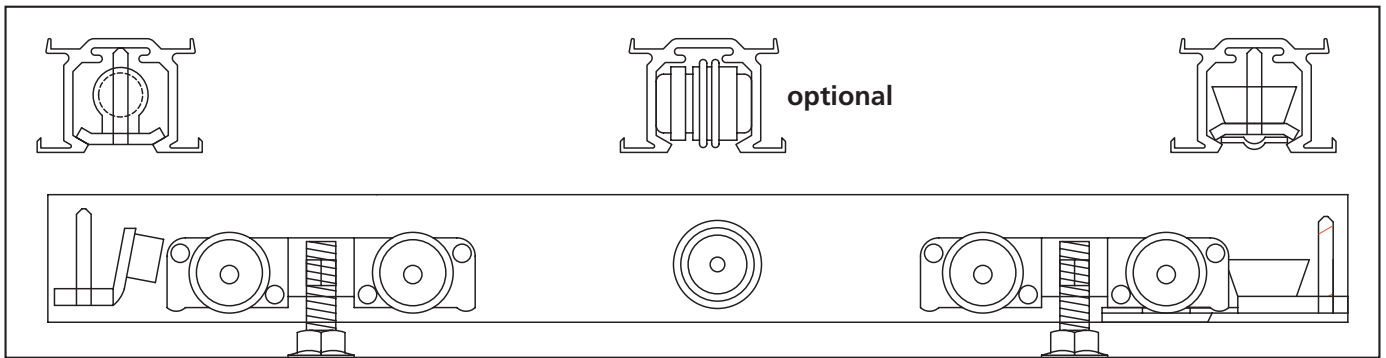


Before fastening the insert profile to the wall connection profile, you have to prepare the drill holes. It is important to fasten the wall connection profile professionally at the wall with a sufficient distance from the ceiling (at least 40 mm). Drill holes in regular distances (minimum distance of 40 to 50 cm between borings) into the wall connection profile and countersink the outside of the top borings. Now drill holes into the insert profile with the same distances. First, mount the wall connection profile to the wall and then the insert profile to the wall connection profile or mount the insert profile directly to the ceiling. When you install the wall connection profile have the screw heads in top and the nut.

**Please note:** The stability is dependent upon the quantity and quality of the holes. There may be problems with the attachment to a suspended ceiling.

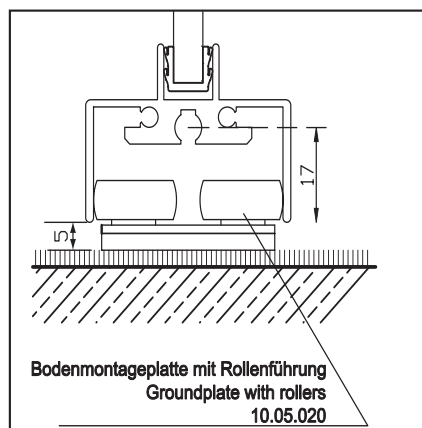
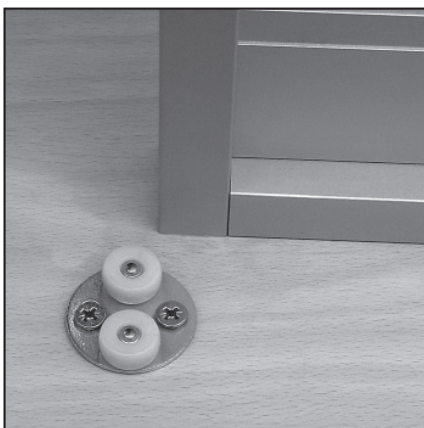
# \_ASSEMBLY / INSTALLATION

## C\_INSTALL STOPPER AND BRAKE FOR TOP ROLLER:



Install stopper and the brake for top roller in the insert profile as indicated above (it is to be put into correct position after having installing the doors). **Note:** The brake for top roller has to be positioned between both top roller of one door element.

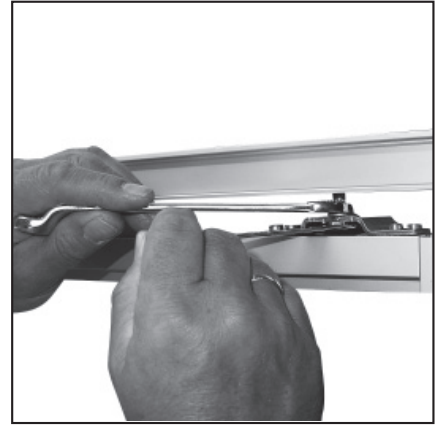
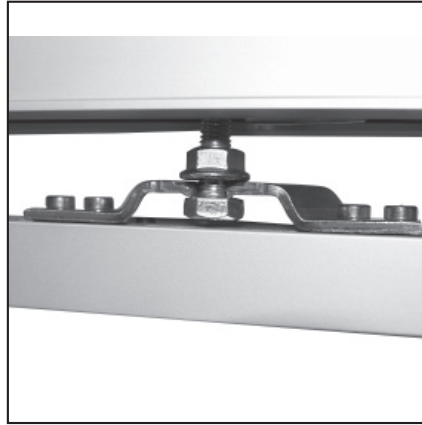
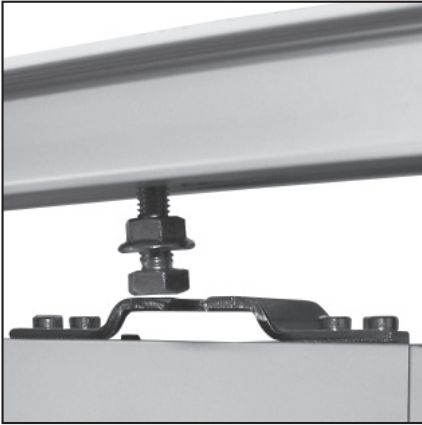
## D\_INSTALLATION OF GROUND PLATE:



Mount the ground plate on the floor where the moving door will be situated. Use the wall outlet. For this put the door into position and mark the floor with tape where the ground plate should be positioned. If there are differences in height on the floor put a spacer between the floor and the ground plate.

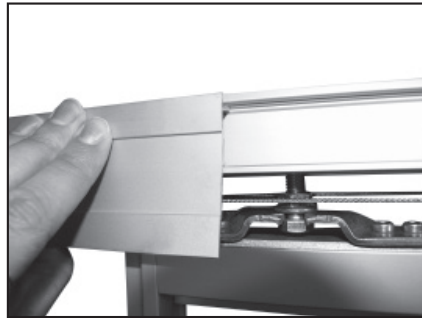
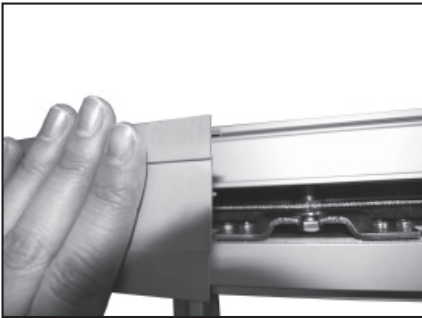
# \_ASSEMBLY / INSTALLATION

## E\_HANG-UP DOOR:



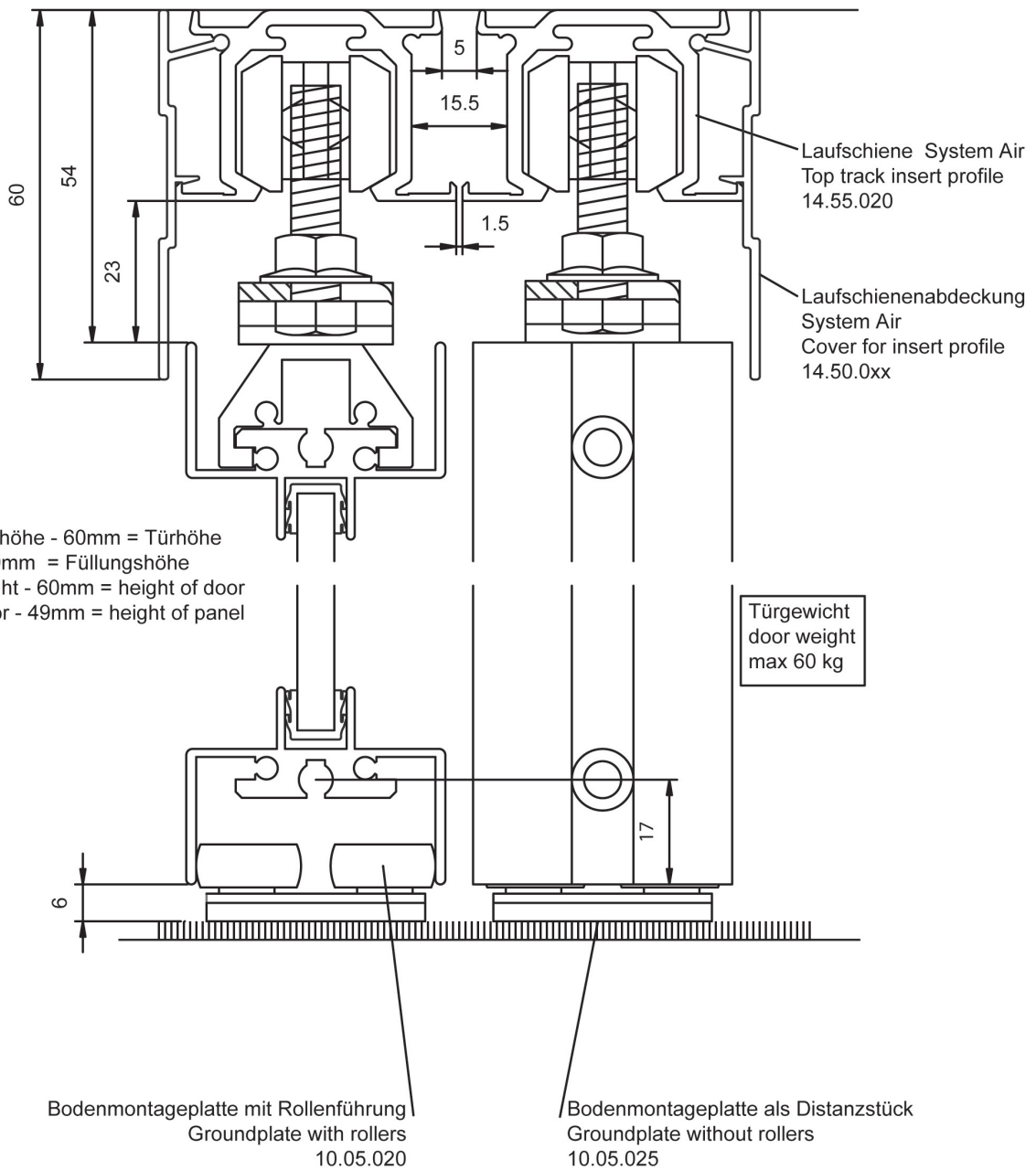
First, insert doors and adjust their height. Then tighten it with two top rollers with the help of two open-ended spanners (13

## F\_INSTALL COVER:

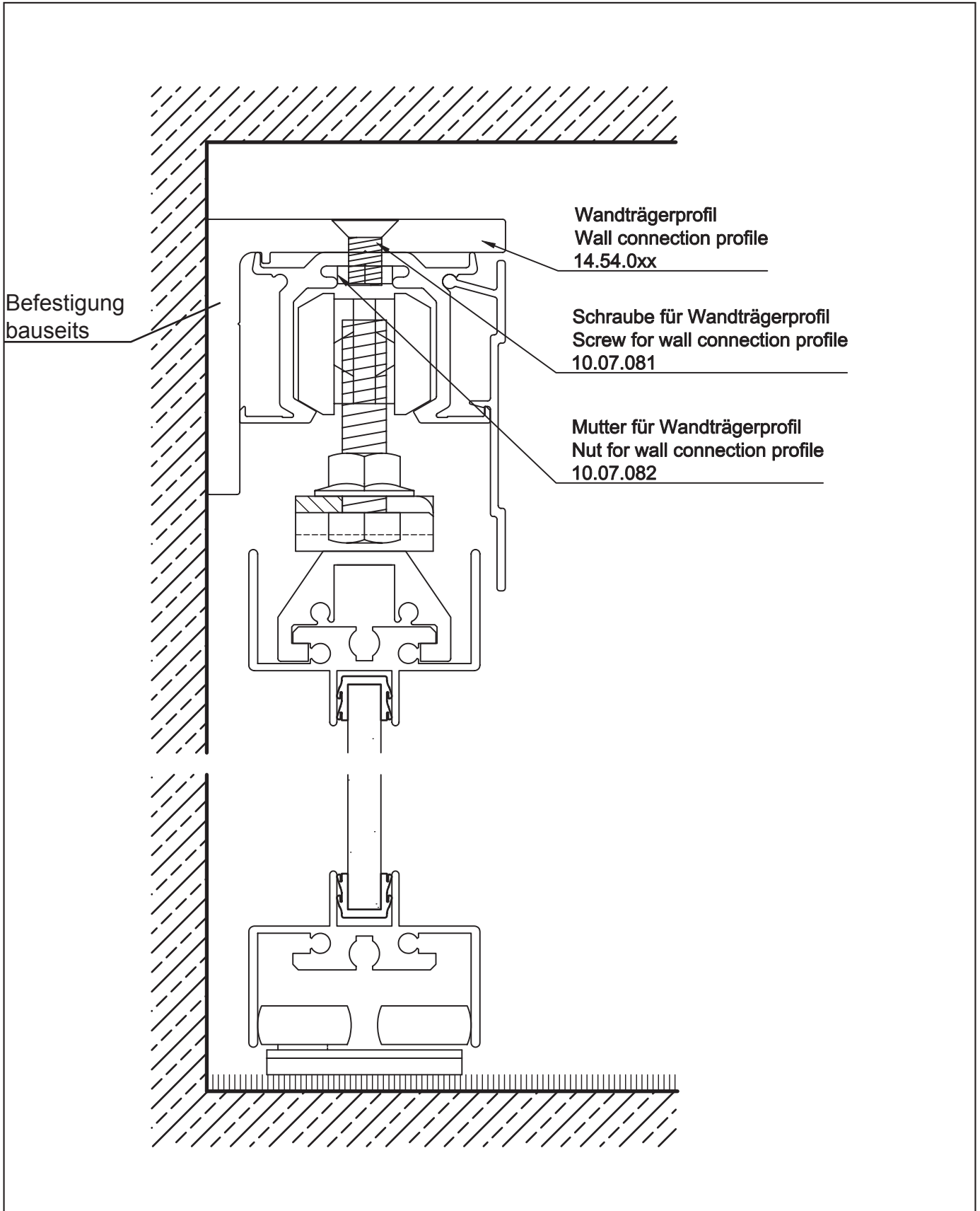


Finally clip the cover in front of the AIR track in order to cover the top roller.

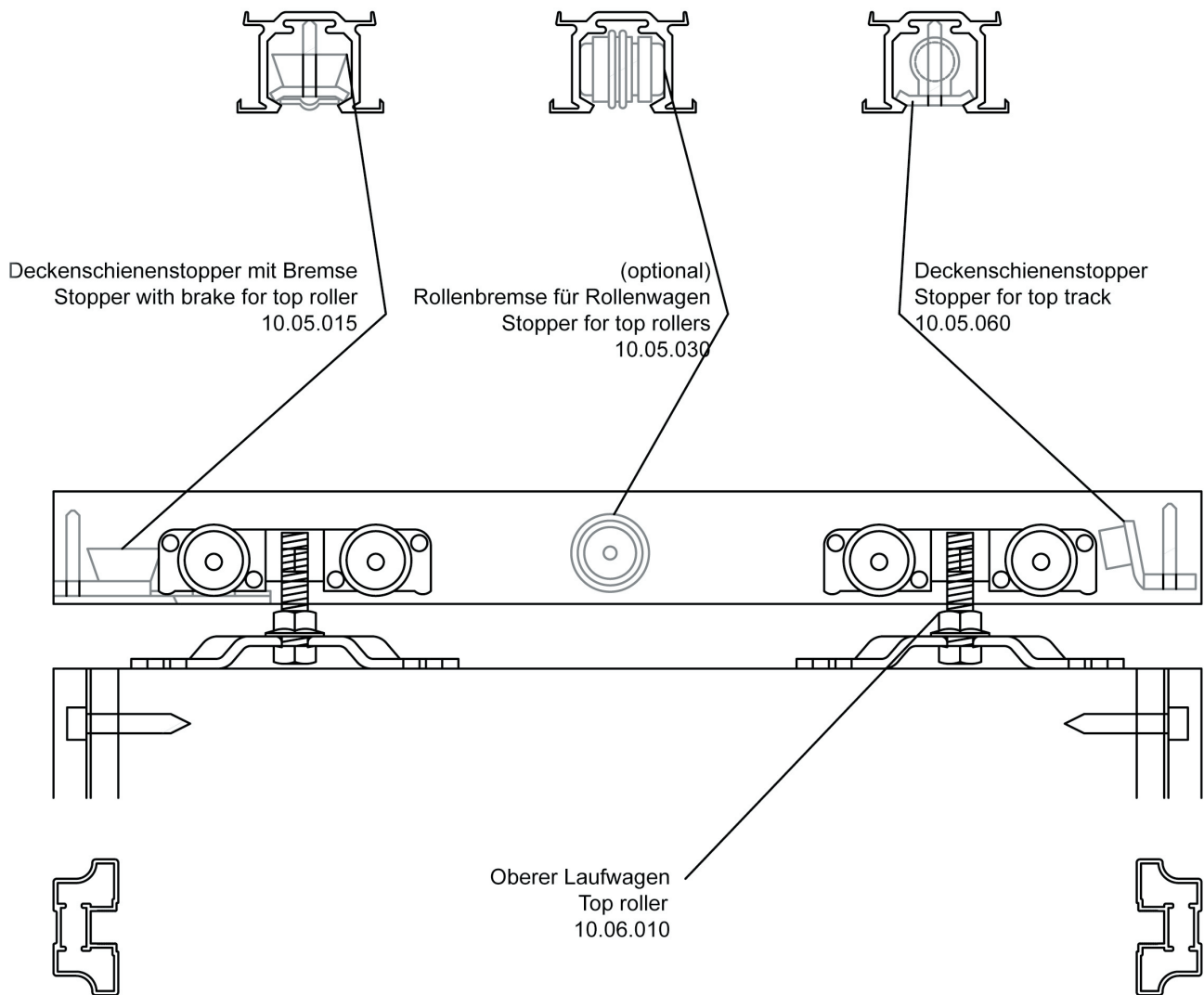
# \_DETAIL DRAWING



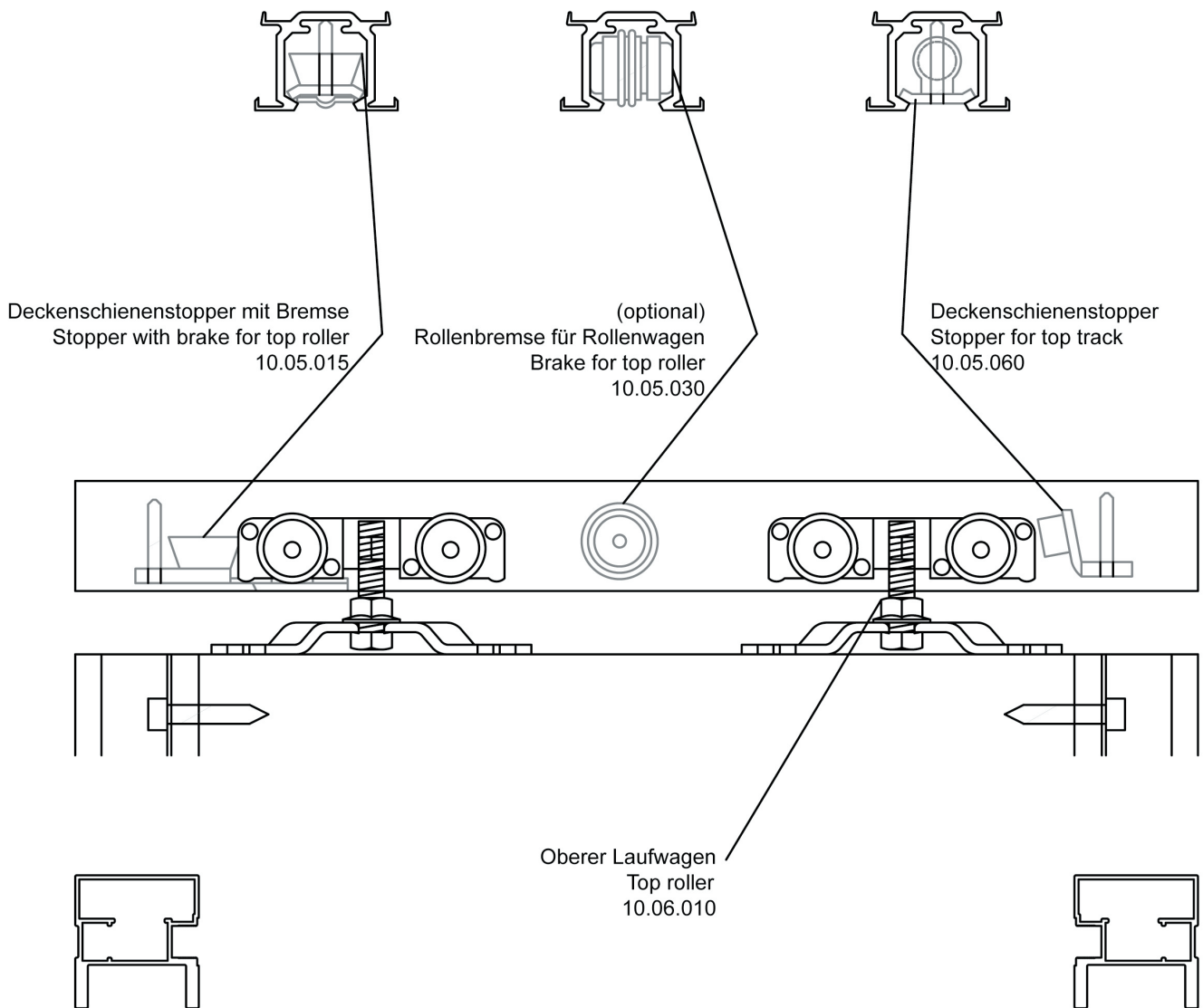
# \_DETAIL DRAWING



# \_DETAIL DRAWING SERIES 1500

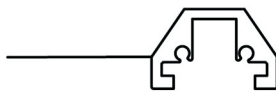


# \_DETAIL DRAWING SERIES 3000

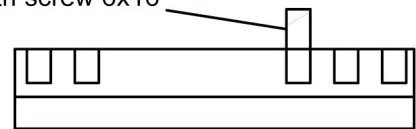


# \_DETAIL DRAWING FITTINGS

Halterung für Laufwagen  
Fixation for top roller  
10.06.040



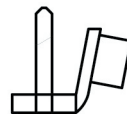
mit Schraube 6x16  
with screw 6x16



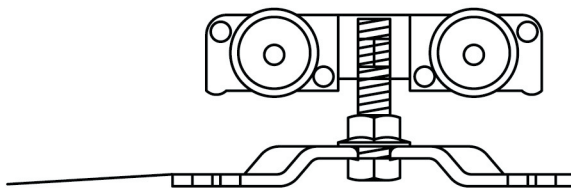
Deckenschienenstopper mit Bremse  
Stopper with brake for top roller  
10.05.015



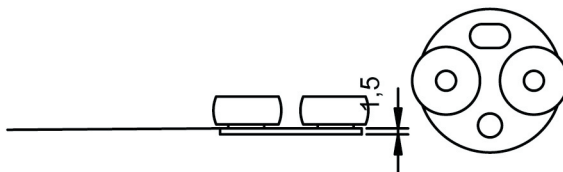
Deckenschienenstopper  
Stopper for top track  
10.05.060



Oberer Laufwagen  
Top roller  
10.06.010



Bodenmontageplatte mit Rollenführung  
Groundplate with rollers  
10.05.020



Bodenmontageplatte als Distanzstück  
groundplate without rollers  
10.05.025

