

# SLIDING DOOR SYSTEMS: ASSEMBLY INSTRUCTIONS

## PANEL DIVIDING RAIL

### ACCESSORIES:

6th Edition\_June 2006



1\_

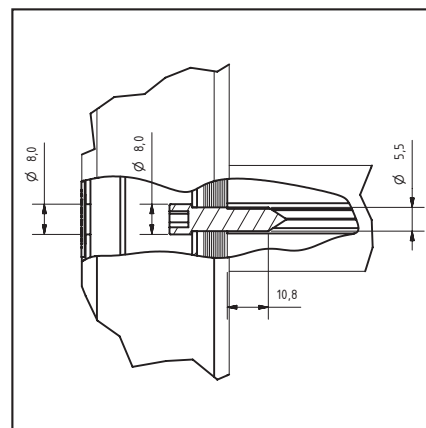


2\_

**1\_Plugs for dividing rail: Type 1 for anodised stiles (10.07.351 - 10.07.357), type 2 for foil covered stiles (10.07.358 - 10.07.367), available in various colors**\_For covering the drill holes. They are not needed until the final assembly.

**2\_Screw with a small head (10.07.008) diameter of screw head 8 mm**\_To attach the vertical profiles to the panel dividing rail.

### ASSEMBLY INSTRUCTIONS:



1\_Predrill the stile with a  $\varnothing$  5,5 mm hole. Widen the first drill hole to  $\varnothing$  8,0 mm so that the screw (10.07.008) can be counter sunk. Cover the drill holes with the plugs for the dividing rail.

easy      medium      difficult\*

Assembly 

\*Base for the degree of difficulty is a standard sliding door without slant. This is to be classified as ,easy' in respect of production and installation.

# raumplus